

FULL HYDRAULIC COMPACT EXCAVATOR

# TB210R

Operating Mass : 1150kg

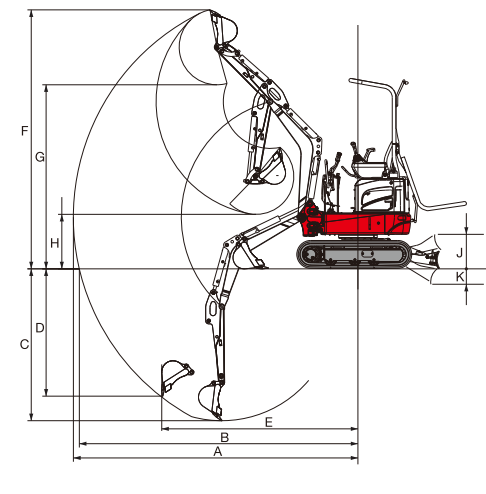


TAKEUCHI

TAKEUCHI

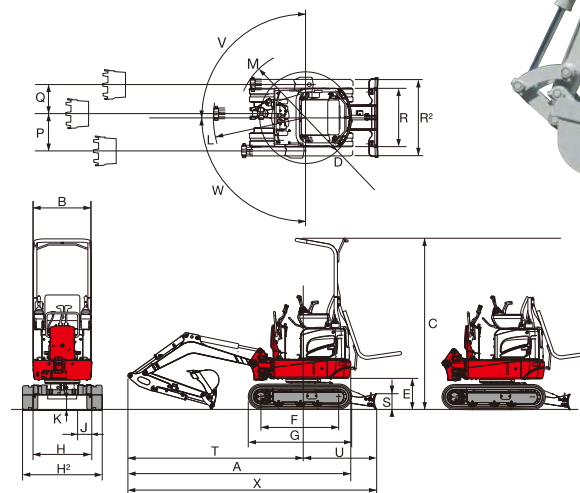
Operating Range

A	3285
B	3220
C	1755
D	1475
E	2265
F	2985
G	2120
H	625
J	250
K	175



Dimensions

A	2955
B	750
C	2190
D	610
E	395
F	1005
G	1325
H	750
H2	1020
J	180
K	160
L	1320
M	980
P	505
Q	510
R	750
R2	1020
S	200
T	2245
U	930
V	85°
W	85°
X	3415
Y	1475



FULL HYDRAULIC COMPACT EXCAVATOR

# TB210R

Operating Mass : 1150kg



SPECIFICATIONS

Basic Specifications / Dimensions		Hydraulic Performance	
Operating Mass	kg 1150	Pump Type	Double Gear Pump + Single Gear Pump
Bucket Capacity (Heaped)	m3 0.022	Main Relief Valve Pressure Setting	MPa 18.2
Engine Manufacturer	- KUBOTA	Hydraulic Pump Delivery	L/min 2x11.1+1x5.8
Engine Model	- D722-E4B	Hydraulic Oil System	L 15
Rated Output (ISO 9249)	kW/min-1 8.7/2200	Set Pressure P1/P2	MPa 18.2
Fuel Tank Capacity	L 12	Set Pressure P3	MPa 3.4
Overall Length	mm 2955	Service Port 1 Flow Rate	L/min 22.0
Upperstructure Overall Width	mm 750	Slew Speed	min-1 10.0
Overall Height	mm 2190	Travel Speed (1st/2nd)	km/h 2.0/3.7
Crawler Overall Length	mm 1325	Maximum Tractive Force	kN 12.8
Crawler Overall Width	mm 750/1020	Equipment	
Dozer Blade WidthxHeight	mm 750/1020x200	ROPS/TOPS/FOPS/OPG	O/O/-/-
Slew Radius	mm 610		
Crawler Shoe Width	mm 180		
Ground Clearance of Undercarriage	mm 160		
Operating Ranges / Digging force			
Maximum Digging Depth	mm 1755		
Maximum Reach	mm 3285		
Boom Swing Angle Left/Right	deg 85/85		
Dozer Blade Maximum Lifting/Lowering	mm 250/175		
Bucket Digging Force	kN 11.2		
Arm Digging Force	kN 6.4		
Arm Length	mm 880		
Boom Cylinder Layout	Rear		

TAKEUCHI

WORLD CREATOR OF COMPACT EXCAVATOR  
**TAKEUCHI MFG.CO.,LTD.**  
 205, Uwadaira,Sakaki-machi, Hanisina-gun.  
 Nagano 389-0605,Japan  
 Phone (81)268-81-1112  
 Telefax(81)268-81-1121  
 URL <http://www.takeuchi-mfg.co.jp>  
 E-mail:marketing@takeuchi-mfg.com

In accordance with our established policy of constant improvement, we reserve the right to amend this specification at any time without notice.Printed in Japan. TB150320

FULL HYDRAULIC COMPACT EXCAVATOR

# TB210R

Operating Mass : 1150kg

TAKEUCHI





# POWERFUL & COMFORTABLE **TB210R** FULL HYDRAULIC COMPACT EXCAVATOR

## SPECIAL FEATURES

### JOBSITE TOUGH

The top mounted hydraulic boom cylinder and internally routed hoses are protected from potential damage. These features help increase durability for a longer service life.

### POWERFUL ENGINE (3cylinder/8.7kW) **21% Increase**

Best in class engine output due to the 21% improvement over TB108 in power. Machine performance is greatly enhanced, while noise output has been reduced.

### IMPROVED DIGGING POWER

**10% Increase**  
over TB108 in arm and bucket breakout forces

### IMPROVED WORKING RANGE

**10% Increase**  
over TB108 in reach and depth

### HYDRAULIC JOYSTICK CONTROL

Pilot controlled joysticks are responsive and reduce operator fatigue enhancing work efficiency and productivity. This design now sets the standard for machines in this class.

### AUXILIARY HYDRAULIC PEDAL (STOWABLE)

### THROTTLE LEVER

### TRAVEL LEVER

### TWO-SPEED TRAVEL

## SERVICEABILITY

- FULLY OPENING ENGINE COVER
- EASY ACCESS TO DAILY MAINTENANCE POINTS
- SIGHT GAUGE FOR HYDRAULIC OIL LEVEL

### BLADE LEVER

## SAFETY

- FOLDING CANOPY WITH CERTIFIED ROPS PROTECTION
- SLEW LOCK
- RETRACTABLE SEATBELT
- CONSOLE SAFETY LOCKOUT

### HORN BUTTON

### HOUR METER

### EXTERNAL POWER SOCKET (12V/5A)

### WARNING LAMPS / INDICATORS

**610mm between joysticks (Actual Size)**

### BOOM SWING PEDAL (STOWABLE)

## OPERATOR COMFORT

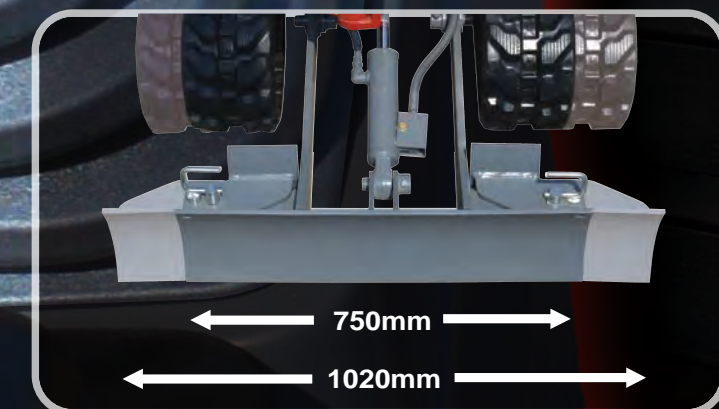
- COMPACT DIMENSIONS
- SHORT TAIL MACHINE
- DETENT
- TWO-SPEED TRAVEL SWITCH

- HYDRAULIC SELECTOR VALVE (1WAY⇄2WAY)
- DOUBLE FLANGE TRACK ROLLER
- WIDE INDEPENDENT BOOM SWING 85 degrees to the left and right.

- ACCUMULATOR
- DOUBLE ELEMENT
- STOWABLE PEDALS

## OPTIONS

- PATTERN CHANGE VALVE (ISO⇄G) : 2WAY LEVER
- TRAVEL ALARM



**RETRACTABLE UNDERCARRIAGE AND BLADE**  
Blade extensions are removable using a single pin, and the track frame can be adjusted hydraulically from 750mm to travel through narrow spaces, to 1020mm for outstanding stability.



BOOM SWING ANGLE (85/85)