

# TTK 175 S / TTK 355 S

EN

OPERATING MANUAL  
DEHUMIDIFIER



**Table of contents**

**Notes regarding the operating manual**..... 1

**Safety** ..... 2

**Information about the device**..... 4

**Transport and storage**..... 5

**Operation** ..... 7

**Errors and faults**..... 10


**Maintenance** ..... 11


**Technical annex**..... 13


**Declaration of conformity** ..... 19

**Notes regarding the operating manual**


**Symbols**


 **Warning of electrical voltage**  
 This symbol indicates dangers to the life and health of persons due to electrical voltage.

 **Warning!**  
 This signal word indicates a hazard with an average risk level which, if not avoided, can result in serious injury or death.

 **Caution!**  
 This signal word indicates a hazard with a low risk level which, if not avoided, can result in minor or moderate injury.

**Note**  
 This signal word indicates important information (e.g. material damage), but does not indicate hazards.

 **Info**  
 Information marked with this symbol helps you to carry out your tasks quickly and safely.

 **Follow the manual**  
 Information marked with this symbol indicates that the operating manual must be observed.

The current version of the operating manual can be found at:



TTK 175 S



<http://hub.trotec.com/?id=39717>

TTR 355 S



<http://hub.trotec.com/?id=39718>

**Legal notice**

This release replaces all previous versions. No part of this publication may be reproduced without written permission from Trotec GmbH & Co. KG. The same applies for electronically processing, duplicating or spreading the publication. Subject to technical changes. All rights reserved. Trademarks are used without guarantee that they may be used freely and primarily following the spelling of the manufacturer. Product names are registered.

Changes to construction in the interests of constant improvements to the product, as well as changes to the shape and colour are reserved.

The scope of delivery may vary from product images. This document was created with all due care. Trotec GmbH & Co. KG accepts no liability whatsoever for possible mistakes or omissions.

© Trotec GmbH & Co. KG

## Warranty and liability

The device complies with the fundamental health and safety requirements of the applicable EU regulations and was tested at the factory for perfect functionality multiple times.

However, if faults in the functionality occur and cannot be remedied with the measures in the chapter Errors and faults, please get in touch with your dealer or distributor.

When making a warranty claim, supply the device number (see the rear of the device).

When manufacturer's instructions or legal regulations have not been followed, or after unauthorised changes to the device are made, the manufacturer is not responsible for the resulting damages. Changes to the device or unauthorised replacement of individual parts can drastically impact the electrical safety of this product and will result in the loss of the warranty. Liability does not extend to damages to people or property caused by the device being used other than as described in the instructions in this operating manual. Subject to changes to technical design and model changes as part of constant development and product improvement without prior notice.

No liability is accepted for damages resulting from improper use. In such a case, any warranty claims will be voided also.

## Safety

**Read this manual carefully before starting or using the device. Always store the manual in the immediate vicinity of the device or its site of use!**

- Do not use the device in potentially explosive rooms.
- Do not use the device in aggressive atmosphere.
- Set the device up in an upright and stable position.
- Let the device dry out after a wet clean. Do not operate it when wet.
- Do not use the device with wet or damp hands.
- Do not expose the device to directly squirting water.
- Never insert any objects or limbs into the device.
- Do not cover or transport the device during operation.
- Do not sit on the device.
- This appliance is not a toy! Keep away from children and animals. Do not leave the device unattended during operation.
- Check accessories and connection parts for possible damage prior to every use of the device. Do not use any defective devices or device parts.
- Ensure that all electric cables outside of the device are protected from damage (e.g. caused by animals). Never use the device if electric cables or the power connection are damaged!
- The electrical connection must correspond to the specifications in chapter Technical data.
- Insert the mains plug into a properly secured mains socket.
- Observe the device's power input, cable length and intended use when selecting extensions to the power cable. Completely unroll extension cables. Avoid electrical overload.
- Before carrying out maintenance, care or repair work on the device, remove the mains plug from the mains socket. Hold onto the mains plug while doing so.
- Switch the device off and disconnect the power cable from the mains socket when the device is not in use.
- Do not under any circumstances use the device if you detect damages on the mains plug or power cable. Defective power cables pose a serious health risk.
- Observe the storage and operating conditions (see chapter Technical data).
- Ensure that the air inlet and outlet are not obstructed.
- Ensure that the side of the device where the air inlet is found is kept free of dirt and loose objects.
- Only transport the device in an upright position with an emptied condensation tank or drain hose.

- Discharge the collected condensate before transport and storage. Do not drink it. Health hazard!

### Intended use

Only use the device TTK 175 S / TTK 355 S for drying and dehumidifying room air (e.g. after water damages from burst pipes or flooding), while adhering to and following the technical data.

Intended use comprises:

- drying and dehumidifying:
  - living rooms, bedrooms, bathrooms or basements
  - laundries, holiday homes, camper vans, boats
- maintaining the dryness of:
  - store rooms, archives, laboratories
  - bathrooms, wash rooms, changing rooms etc.

### Improper use

Do not place the device on flooded ground. Do not use the device outdoors. Do not place any objects, e.g. wet clothing, on the device for drying.

Any unauthorised changes, modifications or alterations to the device are forbidden.

### Personnel qualifications

People who use this device must:

- be aware of the dangers that occur when working with electric devices in damp areas.
- have read and understood the operating manual, especially the Safety chapter.

Maintenance tasks which require the housing to be opened must only be carried out by specialist companies for cooling and air-conditioning or by Trotec.

### Residual risks



#### Warning of electrical voltage

Work on the electrical components must only be carried out by an authorised specialist company!



#### Warning of electrical voltage

Before any work on the device, remove the mains plug from the mains socket!  
Hold onto the mains plug while pulling the power cable out of the mains socket.



#### Warning!

Dangers can occur at the device when it is used by untrained people in an unprofessional or improper way! Observe the personnel qualifications!



#### Warning!

The device is not a toy and does not belong in the hands of children.



#### Warning!

Do not leave the packaging lying around. Children may use it as a dangerous toy.

#### Note

Do not operate the device without an inserted air filter! Without the air filter, the inside of the device will be heavily contaminated. This could reduce the performance and result in damage to the device.

### Behaviour in the event of an emergency

1. In an emergency, disconnect the device from the mains feed-in: Switch the device off and disconnect the power cable from the mains socket. Hold onto the mains plug while doing so.
2. Do not reconnect a defective device to the mains.

## Information about the device

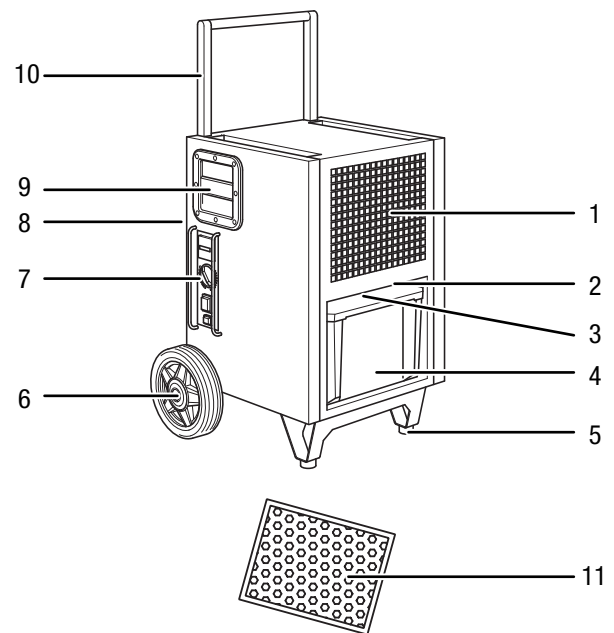
### Description of the device

The device uses the principle of condensation to automatically dehumidify rooms. The fan sucks in humid room air through the air inlet (1), the air filter (11), the evaporator and the condenser located behind it. The air is cooled at the cold evaporator until it is below the dew point. Water vapour contained in the room air precipitates on the evaporator fins as either condensation or rime. The dehumidified, cooled air is rewarmed at the condenser and blown out at a temperature of approx. 5 °C above room temperature. The drier air thus conditioned mixes with the air in the room. The humidity in the room where the device is positioned is reduced as air constantly circulates through the device. Depending on the air temperature and the relative humidity, the condensed water either drops continuously or only during the defrost phase into the condensation tray and through the integrated drain nozzle into the condensation tank (4) below.

The filling level of the condensation tank (4) is detected by a float switch. The device has a control panel (7) for operating and controlling the functions. Once the maximum filling level of the condensation tank (4) is reached, the condensation tank indicator light (see chapter "Operating elements") on the control panel (7) flashes orange. The device switches off. The condensation tank indicator light only goes out again once the emptied condensation tank (4) is reinserted. The condensed water can be diverted by attaching a condensation drain hose to the hose connector (3) (see chapter Operation with hose attached to the condensation connection) or by using a retrofitted condensate pump (see chapter Installing the condensate pump).

The device can reduce the relative humidity of a room to approx. 32 %. Because of the heat radiation which is tied up in operation, the room temperature can rise by approx. 1-4 °C.

### Device depiction



No.	Designation
1	Air inlet
2	Connection for optional condensate pump
3	Hose connector for condensation drain hose
4	Condensation tank
5	Feet
6	Wheels
7	Control panel
8	Air outlet
9	Carrying handle
10	Transport handle
11	Air filter

**Transport and storage**

**Transport**

To make the device easier to transport, it is fitted with wheels and a transport handle.

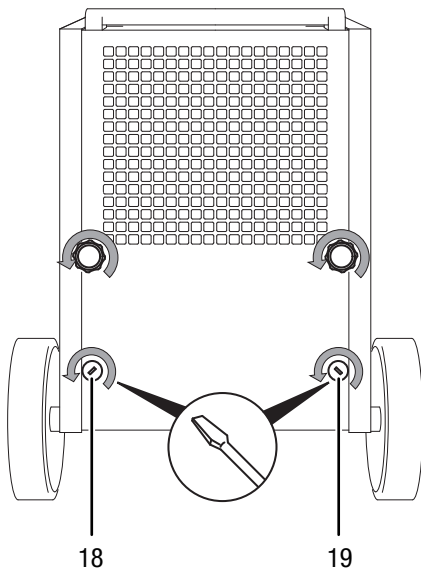
**Before** transporting the device, proceed as follows:

1. Switch off the device at the mains switch (see chapter Operating elements).
2. Remove the mains plug from the mains socket. Do not use the power cable to drag the device!
3. Empty the condensation tank or the condensation drain hose or the condensate pump (optional). Check for dripping condensation.
4. After unpacking the device, adjust the transport handle in transport position as follows:

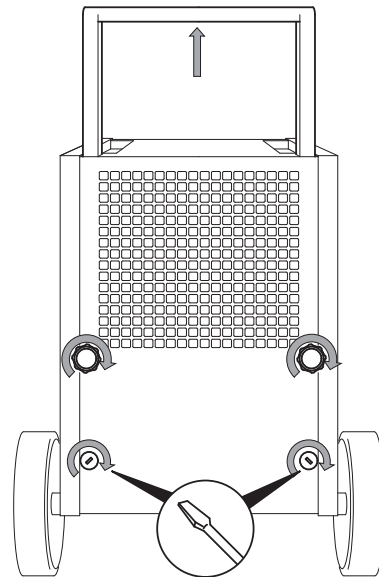
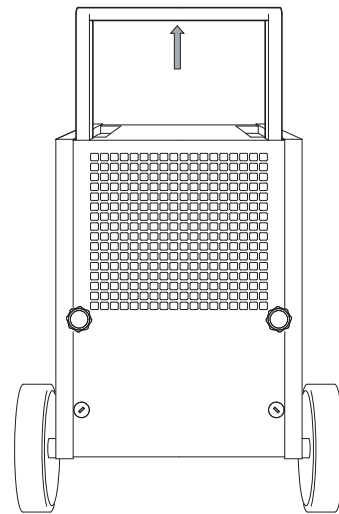
**Note!**

After unpacking the device, remove the two lower screws (18, 19) and adjust the transport handle. Afterwards, reinsert the screws. This only needs to be carried out the very first time that the device is unpacked.

⇒ **Transport handle upon delivery**



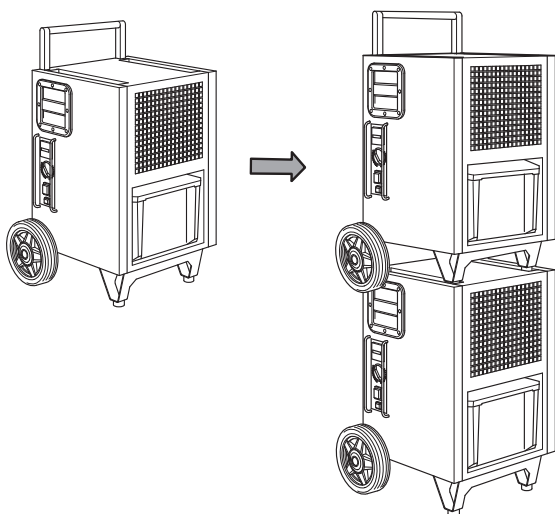
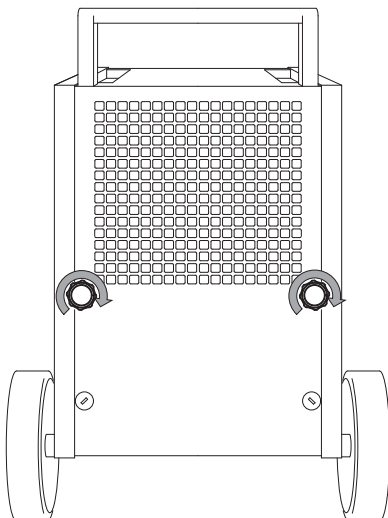
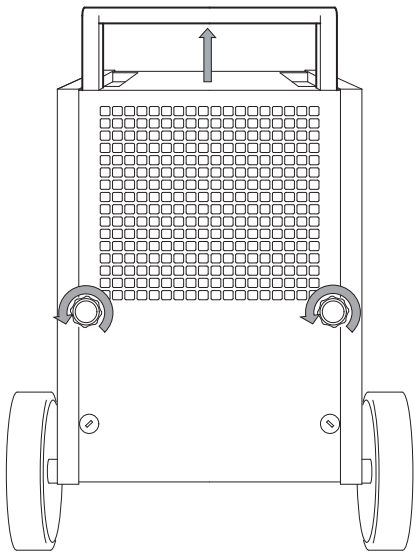
⇒ **Transport handle in transport position**



5. Hold the transport handle in both hands and tilt the device so that it can be rolled on its wheels.
6. Move the device to the site where you want to use it.

7. If necessary, stack several devices on top of each other as follows:

⇒ **Transport handle in stacking position**



**After** transporting the device, observe the following:

1. Set up the device in an upright position after transport.

### Storage

When the device is not being used, observe the following storage conditions:

- dry,
- under roof,
- in an upright position where it is protected from dust and direct sunlight,
- stacked on top of each other (max. 3 devices), if necessary,
- with a cover to protect it from invasive dust, if necessary.
- The storage temperature is the same as the range given for the operating temperature in the technical data.

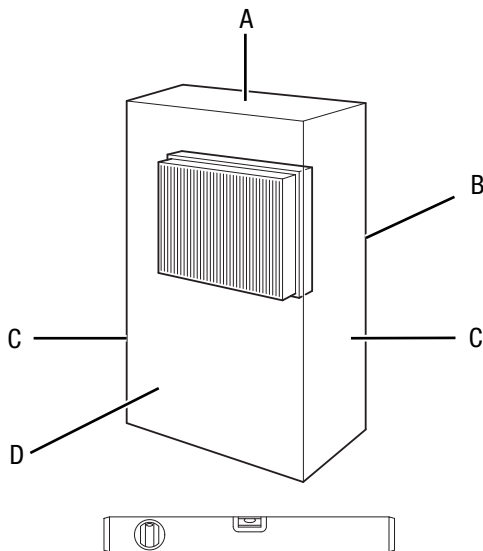
**Operation**

- After being switched on, the device operates fully automatically until the condensation tank is full and the device switches itself off.
- Avoid open doors and windows.

**Positioning**

When positioning the device, observe the minimum distance from walls or other objects as described in chapter Technical Data.

- Set the device up in a level and stable position.
- When positioning the device, keep a sufficient distance to heat sources.
- When positioning the device, particularly in wet areas, secure it locally with an RCD (residual current device) which complies with the respective regulations.



- Make sure that extension cables are completely unrolled.

**Notes regarding the dehumidification performance**

The dehumidification performance depends on:

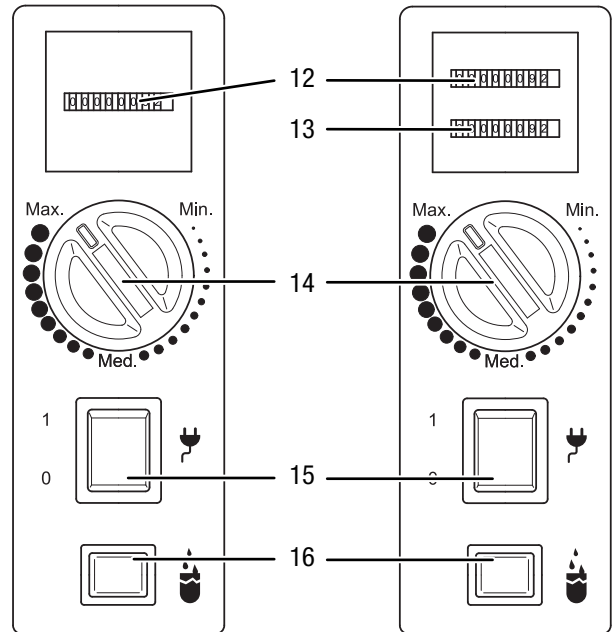
- the layout of the room
- the room temperature
- the relative humidity

The higher the room temperature and relative humidity, the greater the dehumidification performance.

For use in living rooms, a relative humidity of approx. 50 to 60 % is sufficient. In storage facilities and archives, the humidity should not exceed approx. 50 %.

**Operating elements**

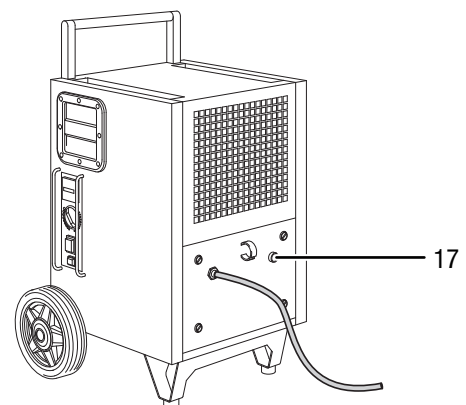
**Control panel**



No.	Designation
12	Operating hours counter
13	Kilowatt hours counter (optional)
14	Humidity level selection switch
15	Mains switch; Illuminated when the device is switched on.
16	Condensation tank indicator light

The device is optionally available with a control panel with two counters (see the image at the top right). Contact your Trotec customer service.

**Condensate pump (optional)**



No.	Designation
17	Button for draining residual water from the condensate pump

The device can optionally be operated with a condensate pump (see chapter Installing the condensate pump (optional)). Contact your Trotec customer service.

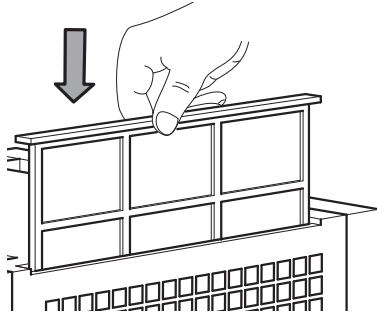


## Start-up

### Inserting the air filter

Make sure that the air filter is installed before switching the device on.

A.



### Switching the device on

1. Ensure that the condensation tank is empty and inserted correctly. Otherwise, the device will not operate!
2. Insert the mains plug into a properly secured mains socket.
3. Switch on the device at the mains switch (15).
4. Ensure that the mains switch (15) is illuminated.
5. Check whether the condensation tank indicator light (16) is out. Otherwise, empty the condensation tank.
6. Adjust the room humidity level with the humidity level selection switch (14).

### Continuous operation mode

In continuous operation mode, the device dehumidifies the air constantly, regardless of the humidity. To start continuous operation mode, set the humidity level selection switch (14) to Max.

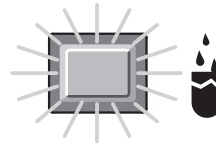
### Automatic defrost

If the room temperature is below 11 °C, the evaporator will freeze during dehumidification. The device will then carry out an automatic defrost. The duration of the defrost can vary.

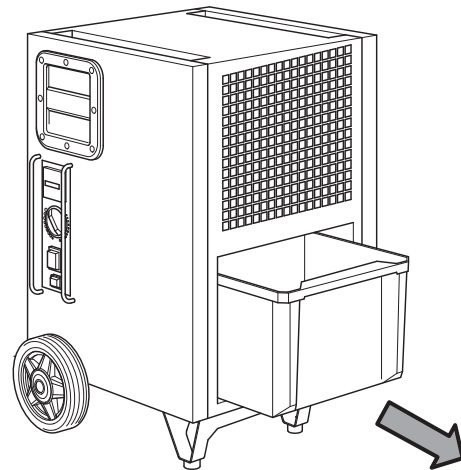
- Do not switch off the device during automatic defrost. Do not remove the mains plug from the mains socket.

## Emptying the condensation tank

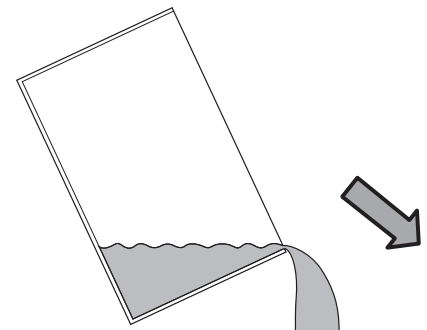
1.



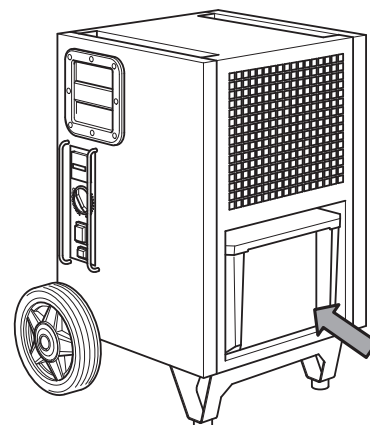
2.



3.

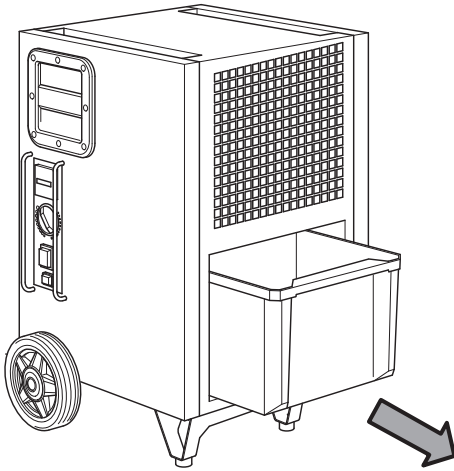


4.

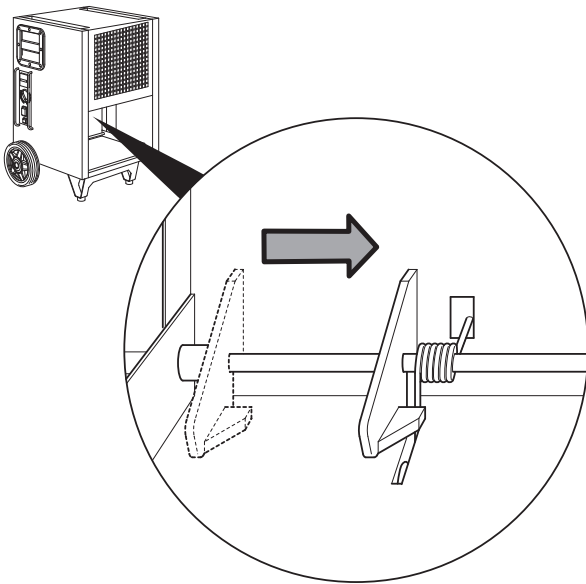


**Operation with hose attached to the condensation connection**

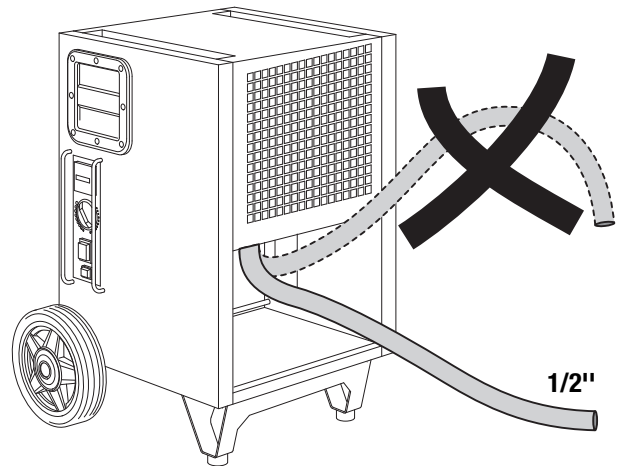
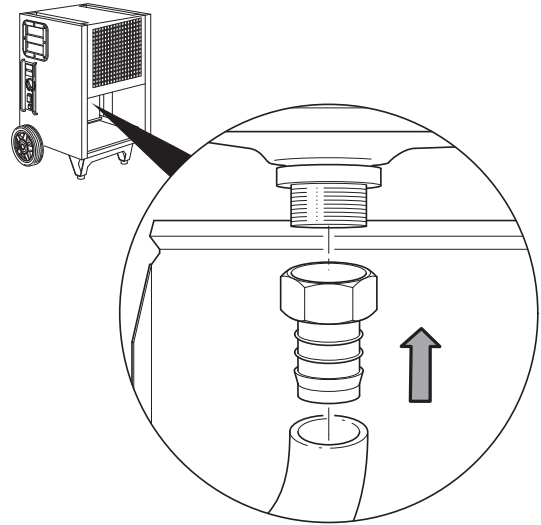
1.



2.



3.



**Shutdown**



**Warning of electrical voltage**

Do not touch the mains plug with wet or damp hands.

1. Switch off the device at the mains switch (see chapter Operating elements).
2. Depending on the model, proceed as follows to remove condensation from the device:
  - ⇒ Empty the optional condensate pump by pressing the key for draining residual water from the condensate pump.
  - ⇒ Empty the condensation tank and wipe it dry with a clean cloth. Check for dripping condensation.
  - ⇒ Remove the condensation drain hose and any residual fluid from it.
3. Do not touch the mains plug with wet or damp hands.
4. Remove the mains plug from the mains socket.
5. Clean the device, and especially the air filter, according to the chapter Maintenance.
6. Store the device according to the Storage chapter.

## Errors and faults

The device has been checked for proper functioning several times during production. If malfunctions occur nonetheless, check the device according to the following list.

### The device does not start:

- Check the power connection (1/N/PE ~ 230 V/ 50 Hz).
- Check the mains plug for damages.
- Have the electrics checked by a specialist company for cooling and air-conditioning or by Trotec.

### The device is running, but no condensate forms:

- Check the condensation tank for correct seating. Check the filling level of the condensation tank and empty it, if necessary. The condensation tank indicator light must not light up.
- Check the condensation tank is not dirty. If necessary, clean the condensation tank.
- Check the room temperature. Observe the device's permissible operating range according to the technical data.
- Ensure that the relative humidity complies with the technical data.
- Check the selected desired humidity level. The humidity in the room must be above the selected range. Reduce the selected relative humidity by turning the rotary switch, if necessary.
- Check the air filter for dirt. If necessary, clean or replace the air filter.
- From the outside, check the condenser for dirt (see chapter Maintenance). If your condenser is dirty, have it cleaned by a specialist company for cooling and air-conditioning or by Trotec.

### The device is loud or vibrates:

- Check whether the device is set up in a stable and upright position.

### The device gets very warm, is loud or loses power:

- Check the air inlets and air filter for dirt. Remove external dirt.
- From the outside, check the device for dirt (see chapter Maintenance). If the inside of the device is dirty, have it cleaned by a specialist company for cooling and air-conditioning or by Trotec.

### Your device still does not operate correctly after these checks?

Please contact the customer service. If necessary, bring the device to a specialist company for cooling and air-conditioning or to Trotec for repair.

## Maintenance

## Maintenance intervals

Maintenance and care interval	before every start-up	as needed	at least every 2 weeks	at least every 4 weeks	at least every 6 months	at least annually
Empty the condensate pump, condensation tray and/or condenser dryer		X				
Check the air inlets and outlets for dirt and foreign objects and clean if necessary	X			X		
Clean the exterior		X				X
Visually check the inside of the device for dirt		X				X
Check the air inlet grid and air filter for dirt and foreign objects and clean or replace if necessary	X		X			
Replace air filter					X	
Check for damage	X					
Check the attachment screws		X				X
Test run						X

## Maintenance and care log

Device type: .....

Device number: .....

Maintenance and care interval	1	2	3	4	5	6	7	8	9	10	11	12	13	14	15	16
Check the air inlets and outlets for dirt and foreign objects and clean if necessary																
Check the condensate pump and tank and clean if necessary																
Clean the exterior																
Visually check the inside of the device for dirt																
Check the air inlet grid and air filter for dirt and foreign objects and clean or replace if necessary																
Replace air filter																
Check for damage																
Check the attachment screws																
Test run																
Remarks:																

1. Date: ..... Signature: .....	2. Date: ..... Signature: .....	3. Date: ..... Signature: .....	4. Date: ..... Signature: .....
5. Date: ..... Signature: .....	6. Date: ..... Signature: .....	7. Date: ..... Signature: .....	8. Date: ..... Signature: .....
9. Date: ..... Signature: .....	10. Date: ..... Signature: .....	11. Date: ..... Signature: .....	12. Date: ..... Signature: .....
13. Date: ..... Signature: .....	14. Date: ..... Signature: .....	15. Date: ..... Signature: .....	16. Date: ..... Signature: .....

## Activities required before starting maintenance



### Warning of electrical voltage

Do not touch the mains plug with wet or damp hands.

- Switch off the device.
- Hold onto the mains plug while pulling the power cable out of the mains socket.

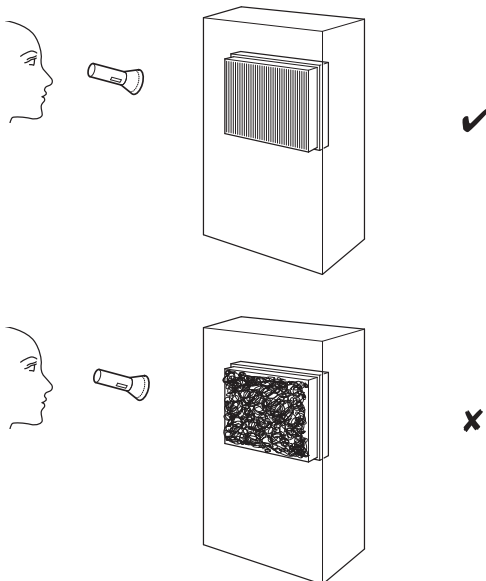


### Warning of electrical voltage

**Maintenance tasks which require the housing to be opened must only be carried out by authorised specialist companies or by Trotec.**

## Visual inspection of the inside of the device for dirt

1. Remove the air filter.
2. Use a torch to illuminate the openings of the device.
3. If you see a thick layer of dust, have the inside of the device cleaned by a specialist company for cooling and air-conditioning or by Trotec.
4. Put the air filter back in.



## Cleaning the housing

Clean the device with a soft, damp and lint-free cloth. Ensure that no moisture enters the housing. Do not use abrasive cleaners.

## Refrigerant circuit

- The entire refrigerant circuit is a maintenance-free, hermetically sealed system and may only be maintained or repaired by specialist companies for cooling and air-conditioning or by Trotec.

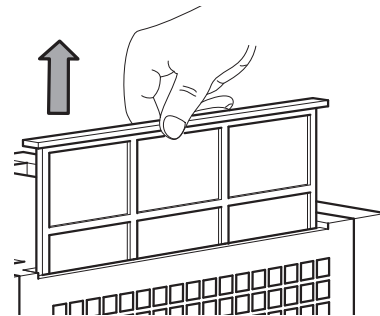
## Cleaning the air filter

The air filter has to be cleaned as soon as it is dirty. This is brought to light e.g. by a reduced capacity (see chapter Errors and faults).

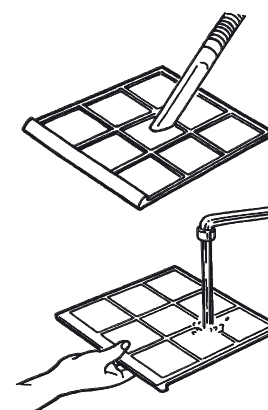
### Note

Ensure that the air filter is not worn or damaged. The corners and edges of the air filter must not be deformed or rounded. Before reinserting the air filter, make sure that it is undamaged and dry!

A.



B.



C.

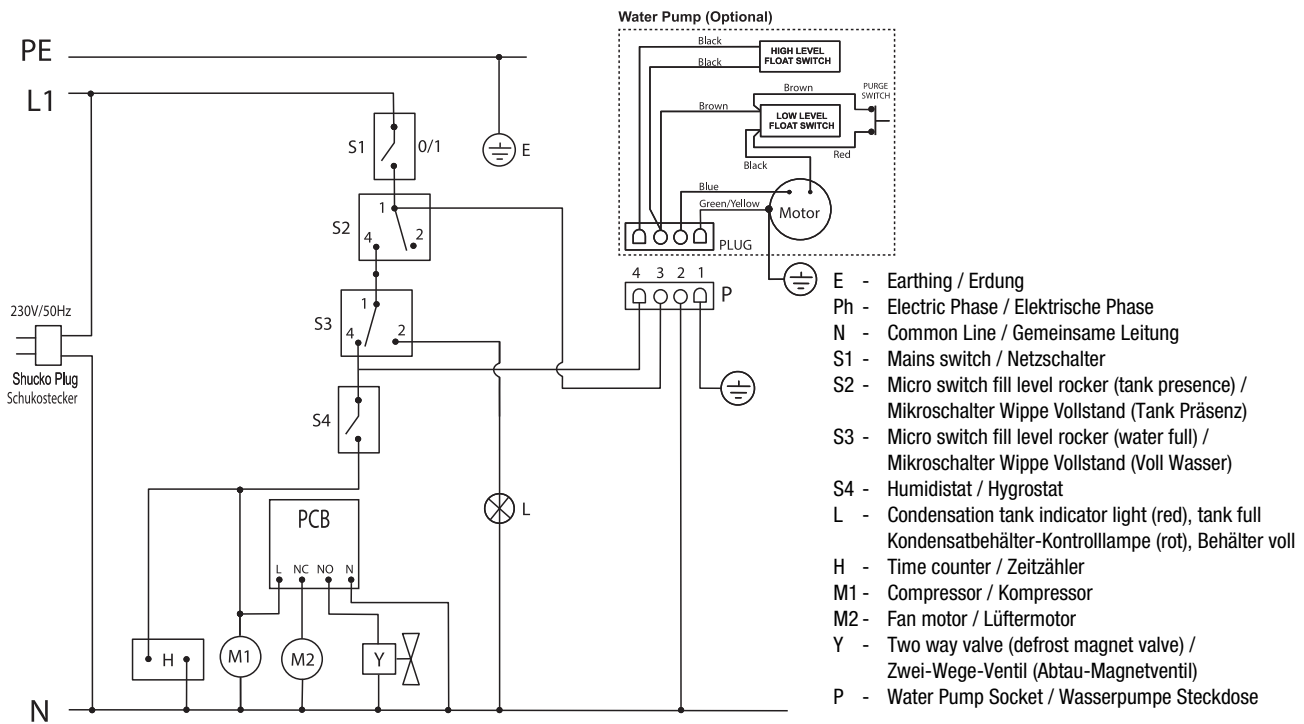


- Reinsert the cleaned, dry filter in the device in reverse order.

**Technical annex**
**Technical data**

Parameter	Value	
<b>Model</b>	TTK 175 S	TTK 355 S
Dehumidification performance @ 30 °C / 80 % RH	40 l / 24 h	55 l / 24 h
Dehumidification performance, max.	50 l / 24 h	70 l / 24 h
Operating temperature	5 °C - 32 °C	5 °C - 32 °C
Operating range for relative humidity	32 % - 100 % RH	32 % - 100 % RH
Air volume flow	300 m <sup>3</sup> /h	1,000 m <sup>3</sup> /h
Mains connection	1/N/PE~ 230 V, 50 Hz	1/N/PE~ 230 V, 50 Hz
Power consumption, max.	0.88 kW	1.27 kW
Nominal current	4.0 A	5.8 A
Water tank capacity	6 l	6 l
Refrigerant	R410a	R410a
Amount of refrigerant	510 g	650 g
Weight	35 kg	39 kg
Dimensions (HxDxW)	663 x 451 x 494 mm	742 x 150 x 500 mm
Minimum distance to walls or other objects	A: Top: 50 cm B: Rear: 50 cm C: Side: 50 cm D: Front: 50 cm	A: Top: 50 cm B: Rear: 50 cm C: Side: 50 cm D: Front: 50 cm
Sound pressure level LpA (1 m; complies with DIN 45635-01-KL3)	52 dB(A)	54 dB(A)

## Wiring diagram

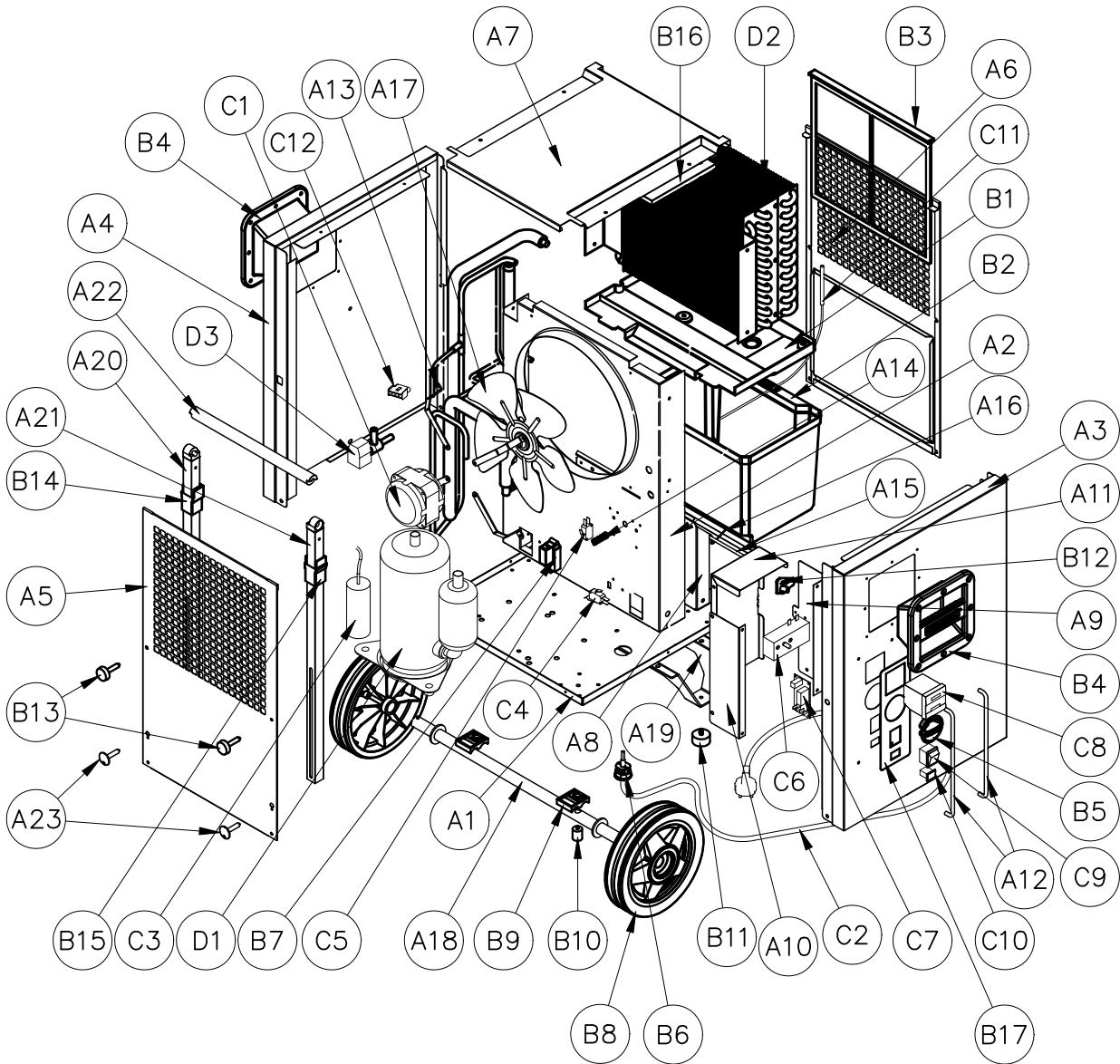


**Exploded assembly drawing**



**Info**

The position numbers of the spare parts differ from those describing the positions of other parts mentioned in this operating manual.





## Spare parts list TTK 175 S

No.	Spare part	No.	Spare part	No.	Spare part
A1	Base Plate	A22	Black Painted Ø20 Round Aluminium Profile Sliding Handle	C3	35 µF Starting Capacitor
A2	Structural Element for Ø250 Fan	A23	Black Passivated Handle Bar Safety Pin	C4	Tank Present Microswitch
A3	Controls' Side Panel	B1	ABS Threaded Condensation Pan	C5	Full Tank Microswitch
A4	Left Side Panel	B2	5 1/4 l PP Water Tank	C6	Mechanical Hygrostat
A5	Air Outlet Ventilation Grid	B3	Reinforced PP Air Filter	C7	Printed Circuit Board
A6	Air Inlet Ventilation Grid	B4	ABS Trotec Grip	C8	Hour Counter (Standard)
A7	Top Hood	B5	ABS Hygrostat Adjusting Knob		Hour and Power Counter (Optional)
A8	Water Tank Base Plate	B6	Cable Gland PA107	C9	Power Switch and Transparent Silicon Cover
A9	Protection Box - PCB Support	B7	ABS Full Tank Microswitch Protection Case	C10	Tank Full Warning Lamp and Transparent Silicon Cover
A10	Protection Box - Left Support	B8	Ø200 mm Non-Marking Synthetic Rubber Wheel, with Black Plastic Rim	C11	Temperature Probe
A11	Protection Box - Cover	B9	PVC Stacking Elements	C12	Pump Socket
A12	Controls' Protection Bars	B10	Nylon Saddle Spacer	D1	R407c Rotary Compressor
A13	Motor Fan Brackets	B11	Ø30x15 EPDM Foot	D2	Finned Pack Condensing & Evaporating Coil
A14	Full Tank Helical Springs	B12	ABS Element for Spring Pressure (Bucket Simulator)	D3	R407c Solenoid Valve
A15	Tank Base Plate Shaft	B13	Star Knob (Similar Design to DIN 6336) with Threaded Bolt	n/a	Housing - M4 x 10 Screws; Black Passivated; ISO 7380
A16	Tank Detection Spring	B14	ACETAL Guide for Handle Bar (Left)	n/a	Housing - PA M4 Washers
A17	Ø254 Aluminium Sucking Fan Blade	B15	ACETAL Guide for Handle Bar (Right)	n/a	Plastic Grip - M4 x 16; Black Passivated; DIN 7500
A18	Ø20 Wheel Shaft	B16	EPS Top Plate	n/a	Aluminium Handle - M8 x 35; Black Passivated; DIN 7991
A19	Black Painted Foot	B17	PVC Control Panel Sticker		
A20	Black Painted 20x20 Square Aluminium Support for Sliding Handle (Left)	C1	16 W Output Electrical Motor Fan		
A21	Black Painted 20x20 Square Aluminium Support for Sliding Handle (Right)	C2	3 m H05VVF3G1.50 Supply Cable with Injected Schuko Plug		

## Spare parts list TTK 355 S

No.	Spare part	No.	Spare part	No.	Spare part
A1	Base Plate	A22	Black Painted 20x20 Square Aluminium Support for Sliding Handle (Right)	C1	25 W Output Electrical Motor Fan
A2	Structural Element for Ø300 Fan	A23	Black Painted Ø20 Round Aluminium Profile Sliding Handle	C2	3 m H05VVF3G1.50 Supply Cable with Injected Schuko Plug
A4	Controls' Side Panel	A24	Black Passivated Handle Bar Safety Pin	C3	35 µF Starting Capacitor
A5	Left Side Panel	B1	ABS Threaded Condensation Pan	C4	Tank Present Microswitch
A6	Air Outlet Ventilation Grid	B2	5 1/4 l PP Water Tank	C5	Full Tank Microswitch
A7	Air Inlet Ventilation Grid	B3	Reinforced PP Air Filter	C6	Mechanical Hygrostat
A8	Top Hood	B4	ABS Trotec Grip	C7	Printed Circuit Board
A9	Water Tank Base Plate	B5	ABS Hygrostat Adjusting Knob	C8	Hour Counter (Standard)
A10	Protection Box - PCB Support	B6	Cable Gland PA107		Hour + Power Counter (Optional)
A11	Protection Box - Left Support	B7	ABS Full Tank Microswitch Protection Case	C9	Power Switch + Transparent Silicon Cover
A12	Protection Box - Cover	B8	Ø200 mm Non-Marking Synthetic Rubber Wheel, with Black Plastic Rim	C10	Tank Full Warning Lamp + Transparent Silicon Cover
A13	Controls' Protection Bars	B9	PVC Stacking Elements	C11	Temperature Probe
A14	Motor Fan Brackets	B10	Nylon Saddle Spacer	C12	Pump Socket
A15	Full Tank Helical Springs	B11	Ø30x15 EPDM Foot	D1	Rotary Compressor
A16	Tank Base Plate Shaft	B12	ABS Element for Spring Pressure (Bucket Simulator)	D2	Finned Pack Condensing & Evaporating Coil
A17	Tank Detection Spring	B13	Star Knob (Similar Design to DIN 6336) with Threaded Bolt	D3	Solenoid Valve
A18	Ø300 Aluminium Sucking Fan Blade	B14	ACETAL Guide for Handle Bar (Left)	n/a	Housing - M4 x 10 Screws; Black Passivated; ISO 7380
A19	Ø20 Wheel Shaft	B15	ACETAL Guide for Handle Bar (Right)	n/a	Housing - PA M4 Washers
A20	Black Painted Foot	B16	EPS Top Plate	n/a	Plastic Grip - M4 x 16; Black Passivated; DIN 7500
A21	Black Painted 20x20 Square Aluminium Support for Sliding Handle (Left)	B17	PVC Control Panel Sticker	n/a	Aluminium Handle - M8 x 35; Black Passivated; DIN 7991

### Installing the condensate pump (optional)

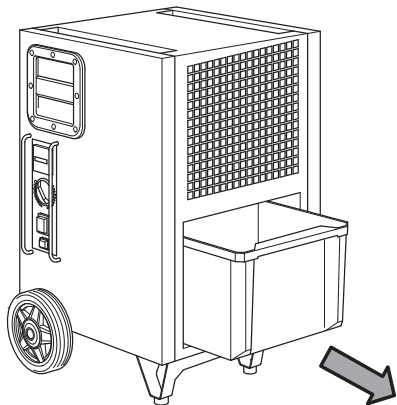


**Info**

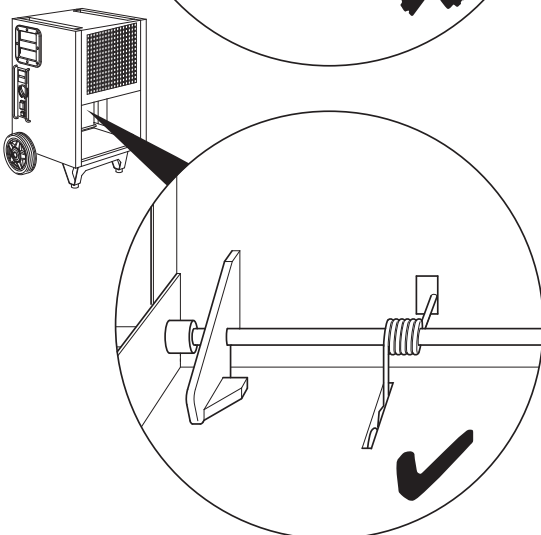
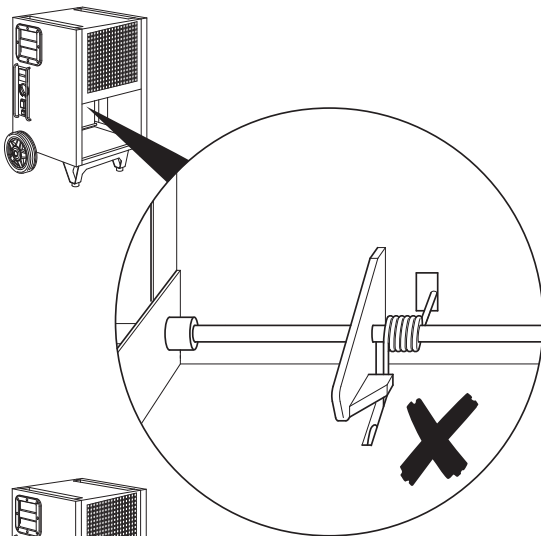
If you use the device in combination with the condensate pump via the TTKwic port and with the Qube, the Qube should be switched on and ready for use at all times to ensure the continuous operation of the pump.

If the Qube's internal pump does not deliver, the collected condensate in the Qube can flow back from the container through the suction hoses.

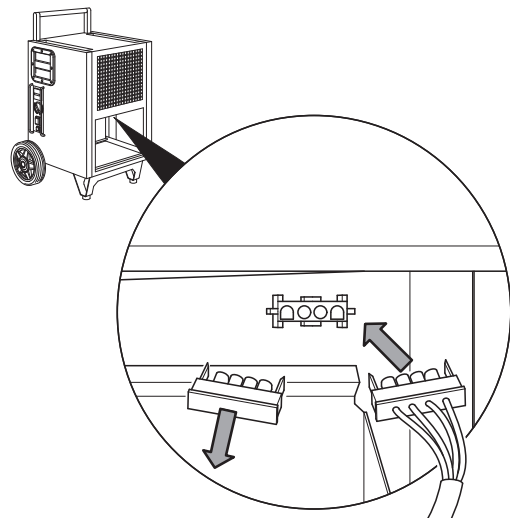
1.



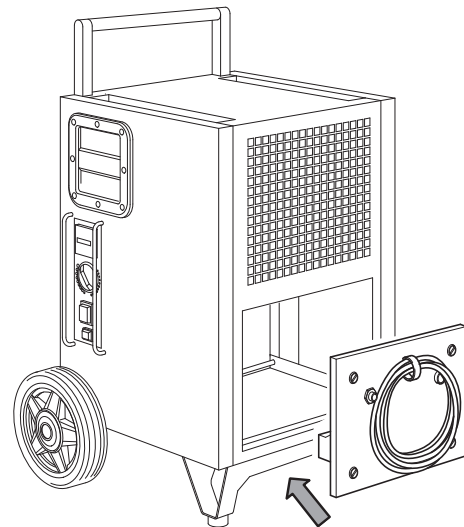
2.



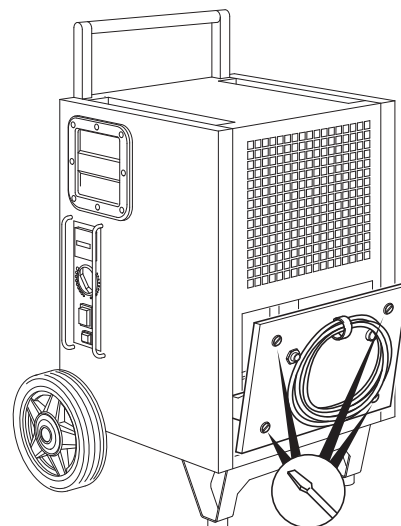
3.



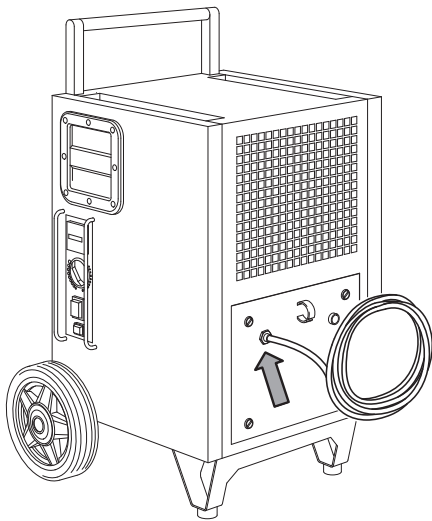
4.



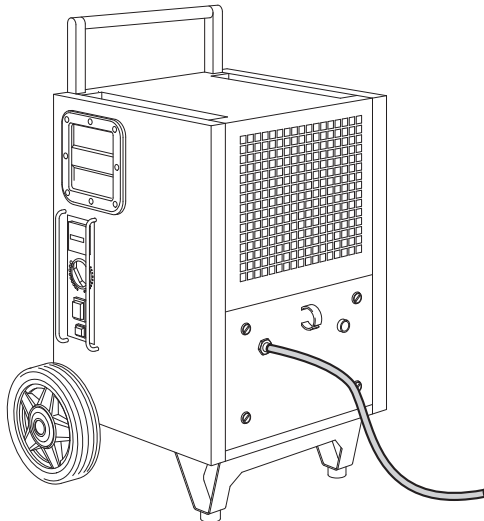
5.



6.



7.



### Disposal



■ In the European Union, electronic equipment must not be treated as domestic waste, but must be disposed of professionally in accordance with Directive 2012/19/EU of the European Parliament and of the Council of 4 July 2012 on waste electrical and electronic equipment (WEEE). At the end of its life, please dispose of this device according to the valid legal requirements.

The device uses an environmentally and ozone-neutral cooling agent (see Technical Data).

Dispose of the refrigerant appropriately and according to the national regulations.

### Declaration of conformity

in accordance with the EC Low Voltage Directive 2006/95/EC and the EC Directive 2004/108/EC about electromagnetic compatibility.

Herewith, we declare that the device TTK 175 S / TTK 355 S was developed, constructed and produced in compliance with the named EC directives.

Applied standards:

EN 60335-1:2012 + A1:2004 + A11:2004 + A12:2006 + A2:2006 + A13:2008 + A14:2010 + A15:2011

EN 60335-2-40:2003 + A1:2006 + A2:2009 + A11:2004 + A12:2005

EN 61000-3-2:2006 + A1:2009 + A2:2009

EN 61000-3-3:2008

EN 55014-1:2006 + A1:2009 + A2:2011

EN 55014-2:1997 + A1:2001 + A2:2008

The **CE** marking is found on the rear of the device.

Manufacturer:

Trotec GmbH & Co. KG

Grebbeener Straße 7

D-52525 Heinsberg

Phone: +49 2452 962-400

Fax: +49 2452 962-200

E-mail: [info@trotec.com](mailto:info@trotec.com)

Heinsberg, 19.04.2012

Detlef von der Lieck  
Managing Director



Trotec GmbH & Co. KG

Grebbener Str. 7  
D-52525 Heinsberg

☎ +49 2452 962-400

☎ +49 2452 962-200

✉ [info@trotec.com](mailto:info@trotec.com)

[www.trotec.com](http://www.trotec.com)