

Milwaukee[®]

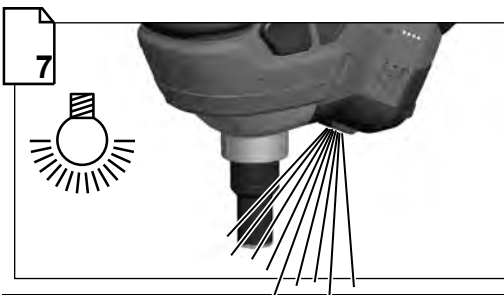
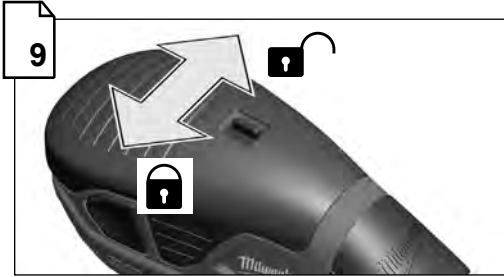
**HEAVY-DUTY
ELECTRIC TOOLS**

NOTHING BUT
**HEAVY
DUTY**
MILWAUKEE

C12 PN

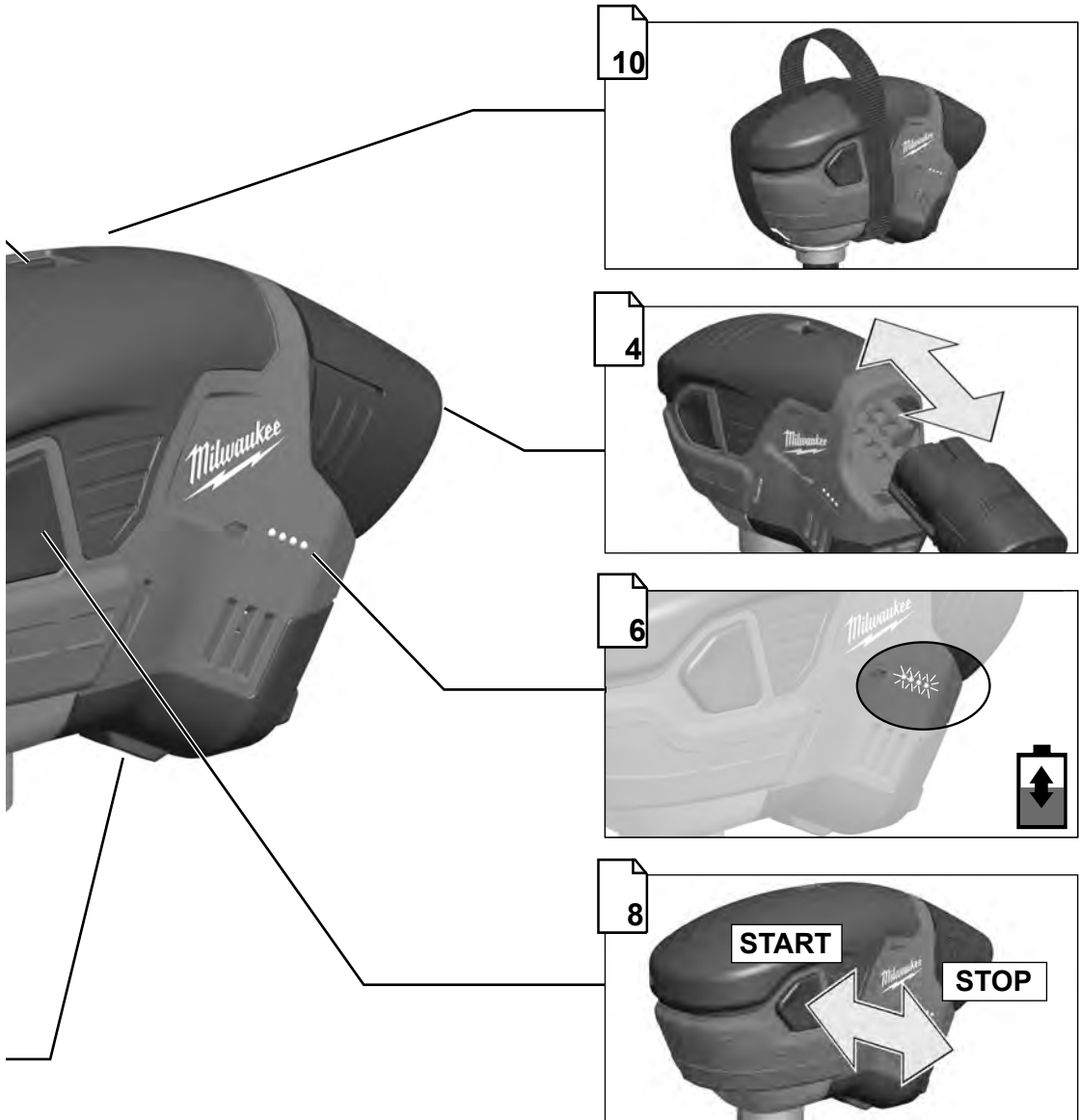


Original instructions





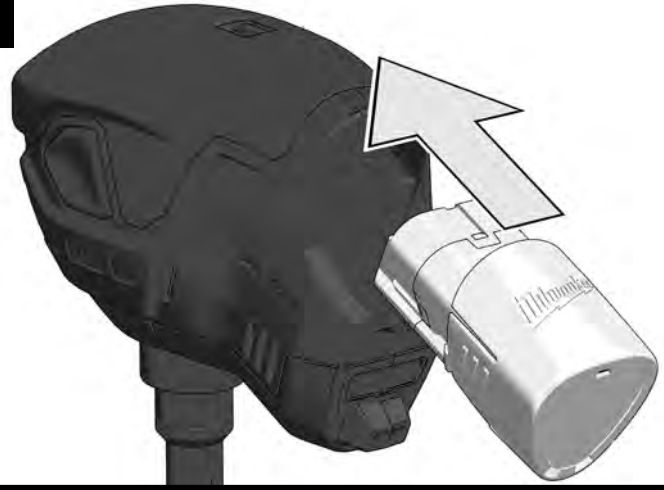
Remove the battery pack before starting any work on the machine.





Remove the battery pack before starting any work on the machine.

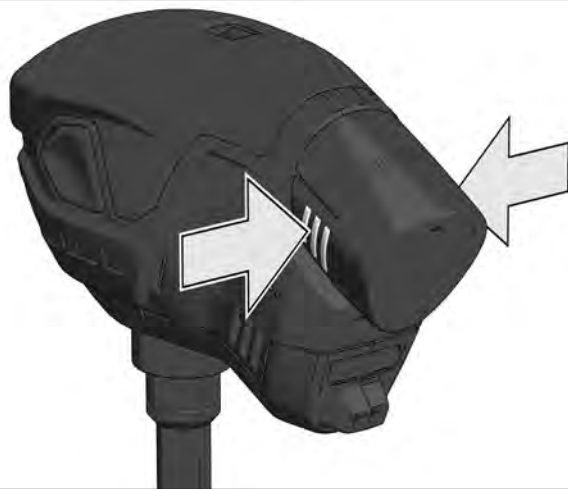
1



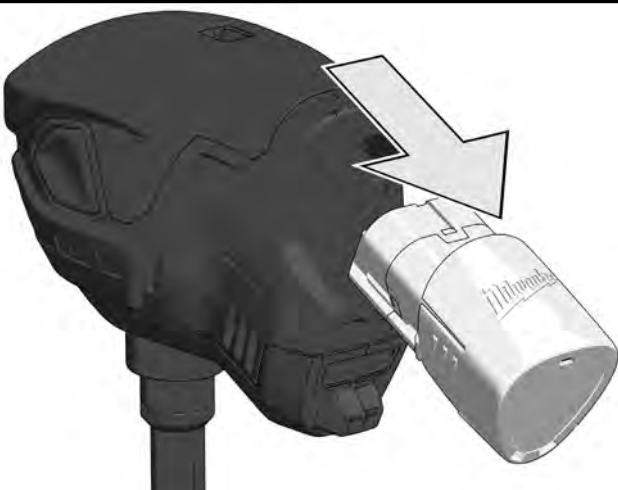
2

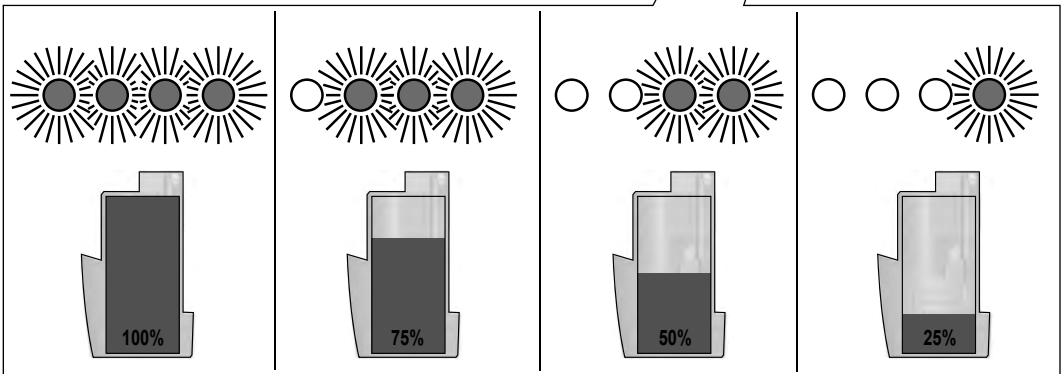
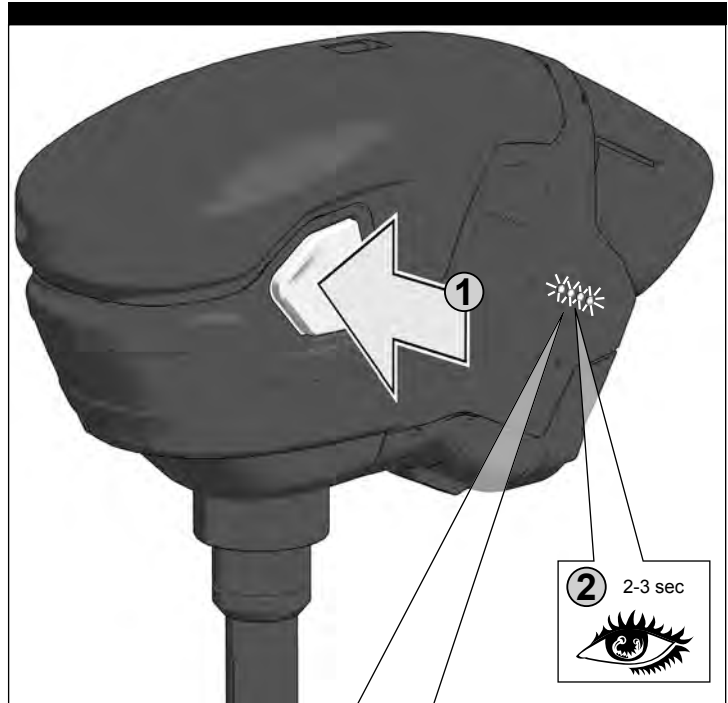


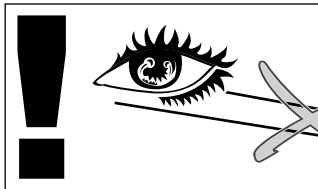
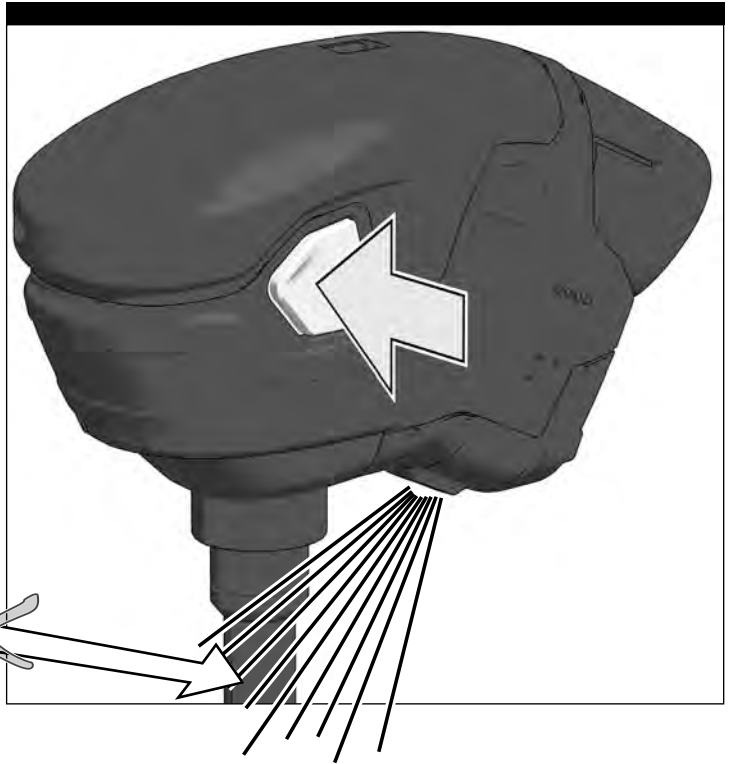
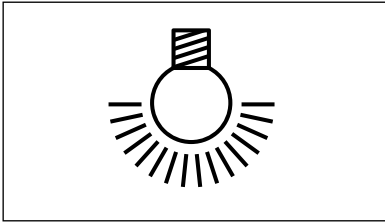
1



2

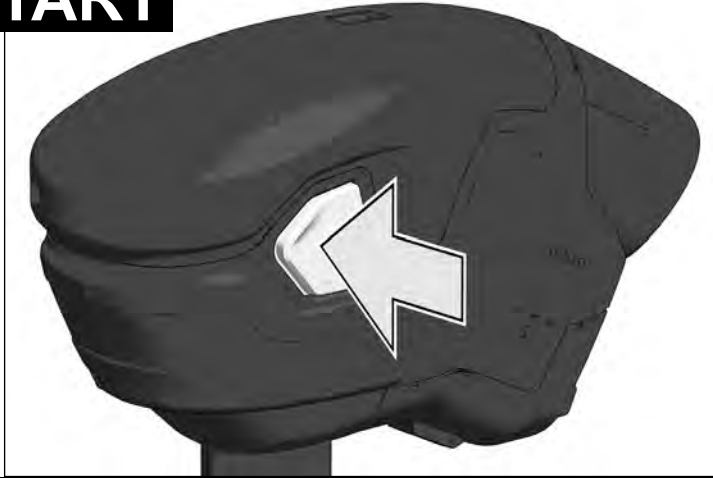




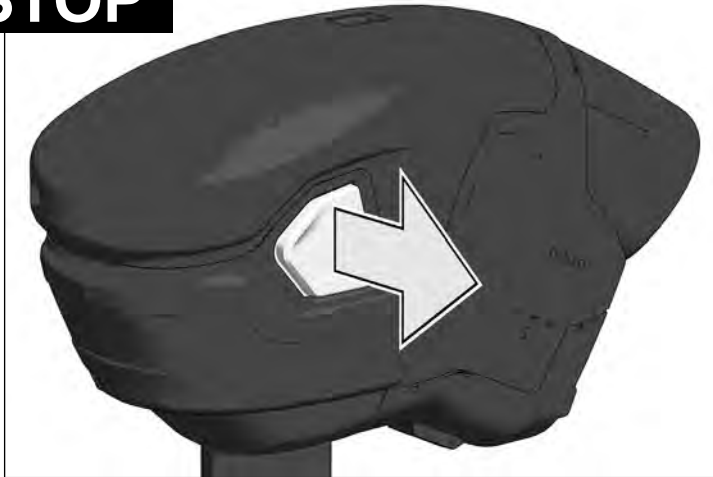


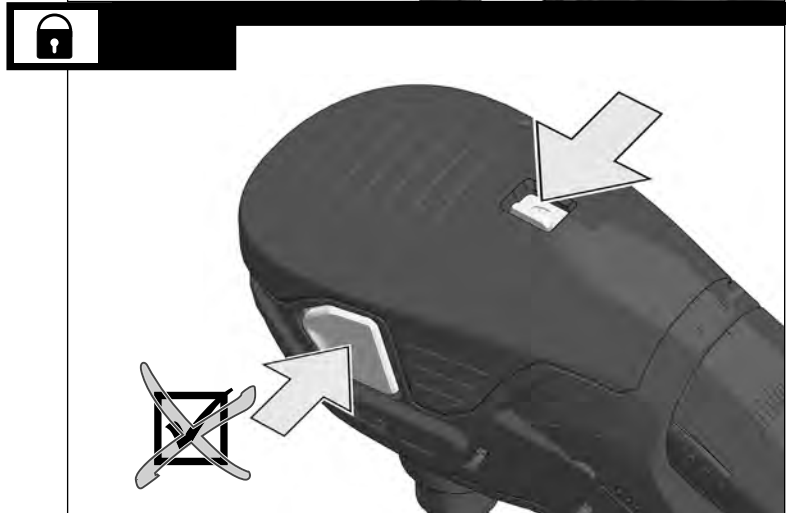
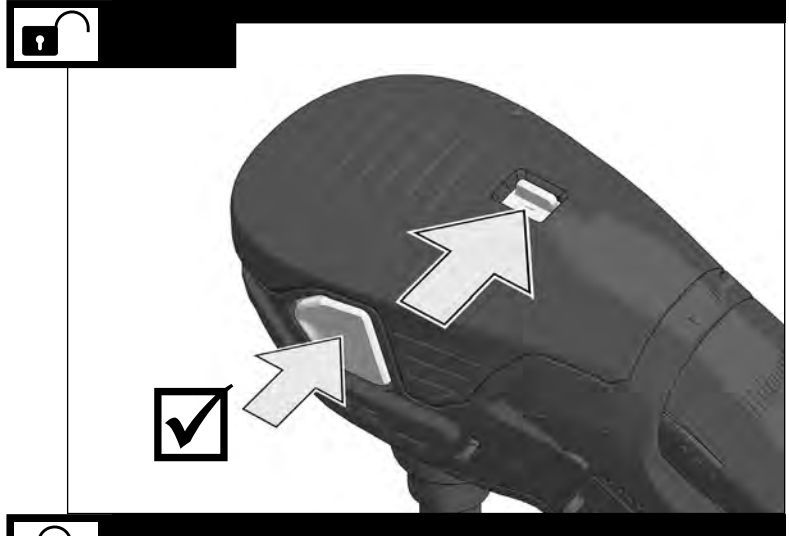


START



STOP







1



2

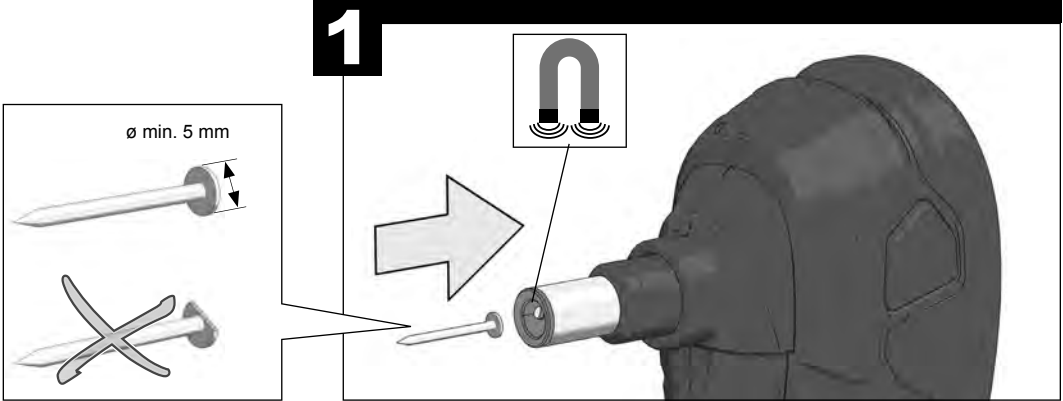


3

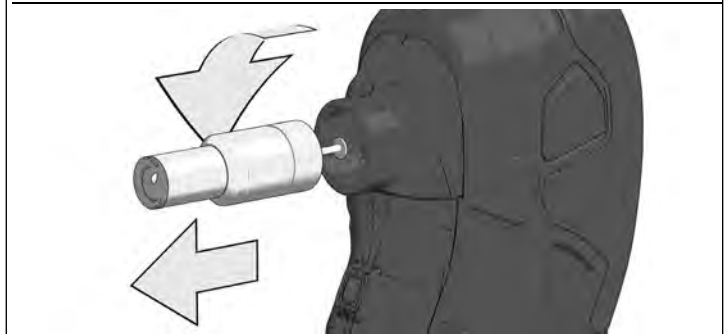
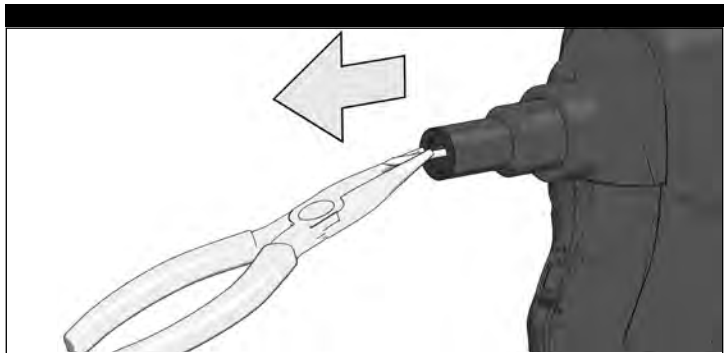


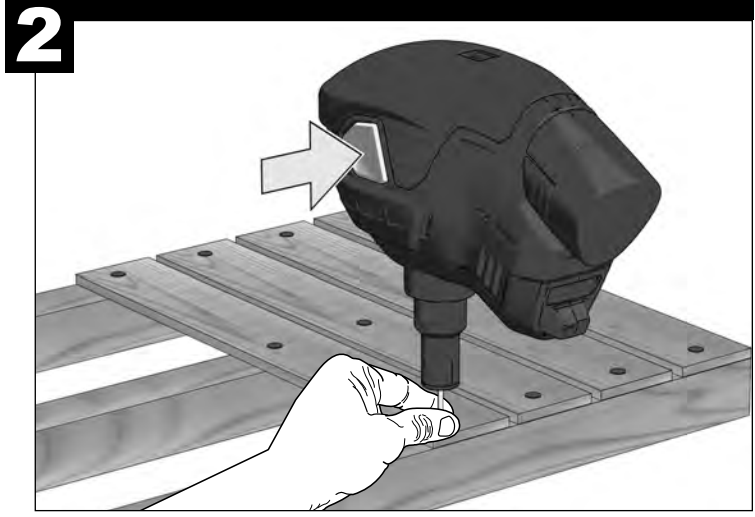
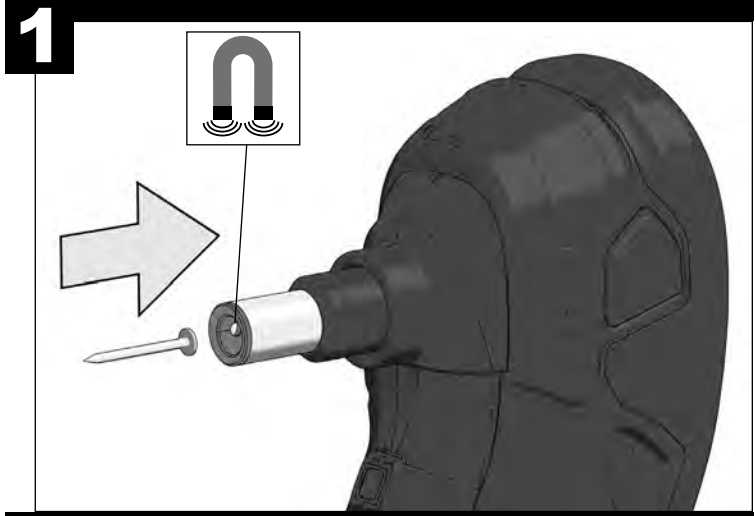
4



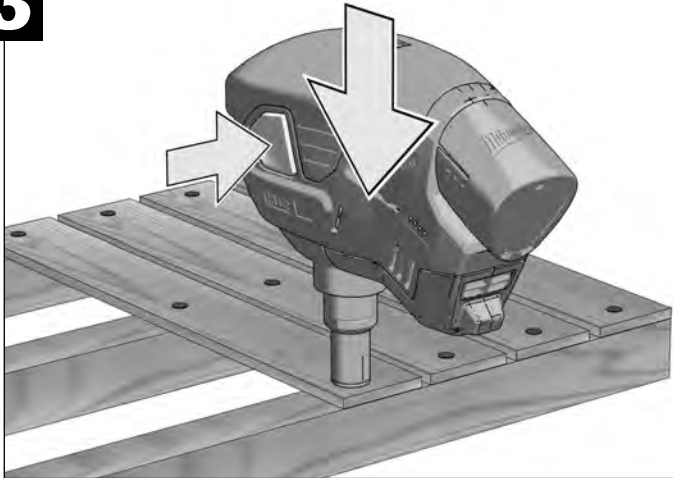


Nails with very small heads (< 5 mm) or broken heads could get jammed. Pull jammed nail with a pliers or unscrew the collet.

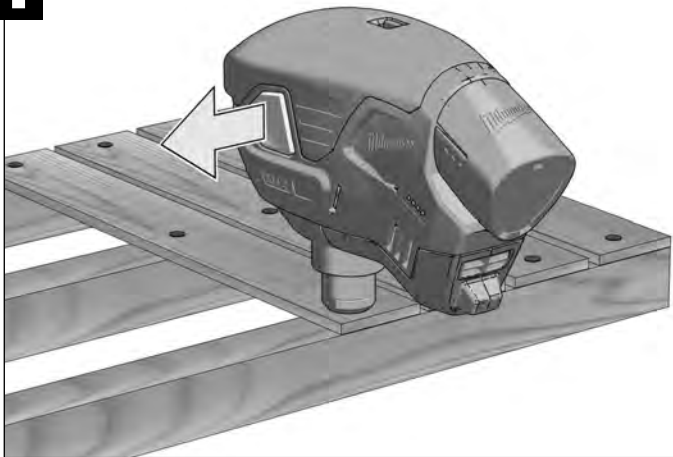




3



4



TECHNICAL DATA**Palm Nailer****C 12 PN**

Percussion rate.....	2700 min ⁻¹
Max. Nail Size.....	3.4 x 90 mm
Battery voltage.....	12 V
Weight with battery.....	1.6 kg

Noise/vibration information

Measured values determined according to EN 60 745.

Typically, the A-weighted noise levels of the tool are:

Sound pressure level (K=3 dB(A))	70 dB (A)
Sound power level	81 dB (A)

Wear ear protectors!

Total vibration values (vector sum in the three axes) determined according to EN 60745.

Vibration emission value a _v	< 2.5 m/s ²
Uncertainty K=	1.5 m/s ²

WARNING

The vibration emission level given in this information sheet has been measured in accordance with a standardised test given in EN 60745 and may be used to compare one tool with another. It may be used for a preliminary assessment of exposure.

The declared vibration emission level represents the main applications of the tool. However if the tool is used for different applications, with different accessories or poorly maintained, the vibration emission may differ. This may significantly increase the exposure level over the total working period.

An estimation of the level of exposure to vibration should also take into account the times when the tool is switched off or when it is running but not actually doing the job. This may significantly reduce the exposure level over the total working period.

Identify additional safety measures to protect the operator from the effects of vibration such as: maintain the tool and the accessories, keep the hands warm, organisation of work patterns.

⚠ WARNING! Read all safety warnings and all instructions, including those given in the accompanying brochure. Failure to follow the warnings and instructions may result in electric shock, fire and/or serious injury. **Save all warnings and instructions for future reference.**

SAFETY INSTRUCTIONS

Wear ear protectors. Exposure to noise can cause hearing loss.

Hold power tool by insulated gripping surfaces, when performing an operation where the cutting accessory may contact hidden wiring. Contact with a "live" wire will also make exposed metal parts of the power tool "live" and shock the operator.

Sawdust and splinters must not be removed while the machine is running.

When working in walls ceiling, or floor, take care to avoid electric cables and gas or waterpipes.

When using the tool, ensure the collet and magnetic sleeve are operating properly. Do not remove, tamper with, or otherwise cause the sleeve to become inoperable. Do not use the tool without a sleeve.

Remove the battery pack before starting any work on the machine.

Do not dispose of used battery packs in the household refuse or by burning them. Milwaukee Distributors offer to retrieve old batteries to protect our environment.

Do not store the battery pack together with metal objects (short circuit risk).

Use only System C12 chargers for charging System C12 battery packs. Do not use battery packs from other systems.

Battery acid may leak from damaged batteries under extreme load or extreme temperatures. In case of contact with battery acid wash it off immediately with soap and water. In case of eye contact rinse thoroughly for at least 10 minutes and immediately seek medical attention.

SPECIFIED CONDITIONS OF USE

The palm nailer is designed for nailing in wood.

Do not use this product in any other way as stated for normal use.

EC-DECLARATION OF CONFORMITY

We declare under our sole responsibility that this product is in conformity with the following standards or standardized documents. EN 60745, EN 55014-1, EN 55014-2, in accordance with the regulations 2006/42/EC, 2004/108/EC



Winnenden, 2010-09-20

Rainer Kumpf
Manager Product Development
Authorized to compile the technical file

BATTERIES

New battery packs reach full loading capacity after 4 - 5 chargings and dischargings. Battery packs which have not been used for some time should be recharged before use.

Temperatures in excess of 50°C (122°F) reduce the performance of the battery pack. Avoid extended exposure to heat or sunshine (risk of overheating).

The contacts of chargers and battery packs must be kept clean.

For an optimum life-time, after use, the battery packs have to be fully charged.

BATTERY PACK PROTECTION

In extremely high torque, binding, stalling and short circuit situations that cause high current draw, the tool will vibrate for about 5 seconds, the fuel gauge will flash, and then the tool will turn OFF. To reset, release the trigger. Under extreme circumstances, the internal temperature of the battery could become high. If this happens, the fuel gauge will flash and the battery pack cool and then continue work.

MAINTENANCE

The ventilation slots of the machine must be kept clear at all times.

Do not let any metal parts reach the airing slots - danger of short circuit!

Use only Milwaukee accessories and spare parts. Should components need to be replaced which have not been described, please contact one of our Milwaukee service agents (see our list of guarantee/service addresses).

If needed, an exploded view of the tool can be ordered. Please state the Article No. as well as the machine type printed on the label and order the drawing at your local service agents or directly at: Milwaukee Electric Tool, Max-Eyth-Straße 10, D-71364 Winnenden, Germany.

SYMBOLS



Please read the instructions carefully before starting the machine.



Remove the battery pack before starting any work on the machine.



Do not dispose of electric tools together with household waste material! In observance of European Directive 2002/96/EC on waste electrical and electronic equipment and its implementation in accordance with national law, electric tools that have reached the end of their life must be collected separately and returned to an environmentally compatible recycling facility.