



# BC26EU HYDRO-DRIVE Owner's Manual



## ***BC2600EU Hydro Series Brush Cutter Owner's Manual***

**Beginning Serial #: 100515001**

### **Original Instructions**

**IMPORTANT- READ CAREFULLY BEFORE USE AND KEEP FOR FUTURE REFERENCE**



## BC26EU HYDRO-DRIVE Owner's Manual

---

### CONTENTS

SPECIFICATIONS	3
INSTRUCTION LABELS	4
ASSEMBLY INSTRUCTIONS	5-6
OPERATION	7-8
MAINTENANCE AND BATTERY MAINTENANCE	9-12
TROUBLESHOOTING	13
ILLUSTRATED PARTS LIST	14-21

NOT FOR REPRODUCTION



## BC26EU HYDRO-DRIVE Owner's Manual

### BC2600EU SERIES SPECIFICATIONS

	BC2600ICHEU	BC2600HHEU
Engine Type	Briggs and Stratton	Honda GXV390
Model Number	219972 0151 F1	GXV390UT2 DABG
Displacement	344 cc	390 cc
Fuel Capacity	3.0 qt (2.80 L)	3.0 qt (2.80 L)
Oil Capacity	1.5 qt (1.4L)	1.2 qt (1.1L)
Unit Weight	325 lb (147.4 kg)	325 lb (147.4 kg)
Overall Length	80 in (2.03 m)	
Overall Width	31 in (0.78 m)	
Overall Height	48 in (1.21 m)	
Maximum Operating Slope	15°	20°

NOT FOR REPRODUCTION



# BC26EU HYDRO-DRIVE Owner's Manual

## INSTRUCTION LABELS

The labels shown below were installed on your BILLY GOAT® Euro Hydro-Drive Brush Cutter. If any labels are damaged or missing, replace them before operating this equipment. Item numbers from the Illustrated Parts List and part numbers are provided for convenience in ordering replacement labels. The correct position for each label may be determined by referring to the Figure and Item numbers shown.

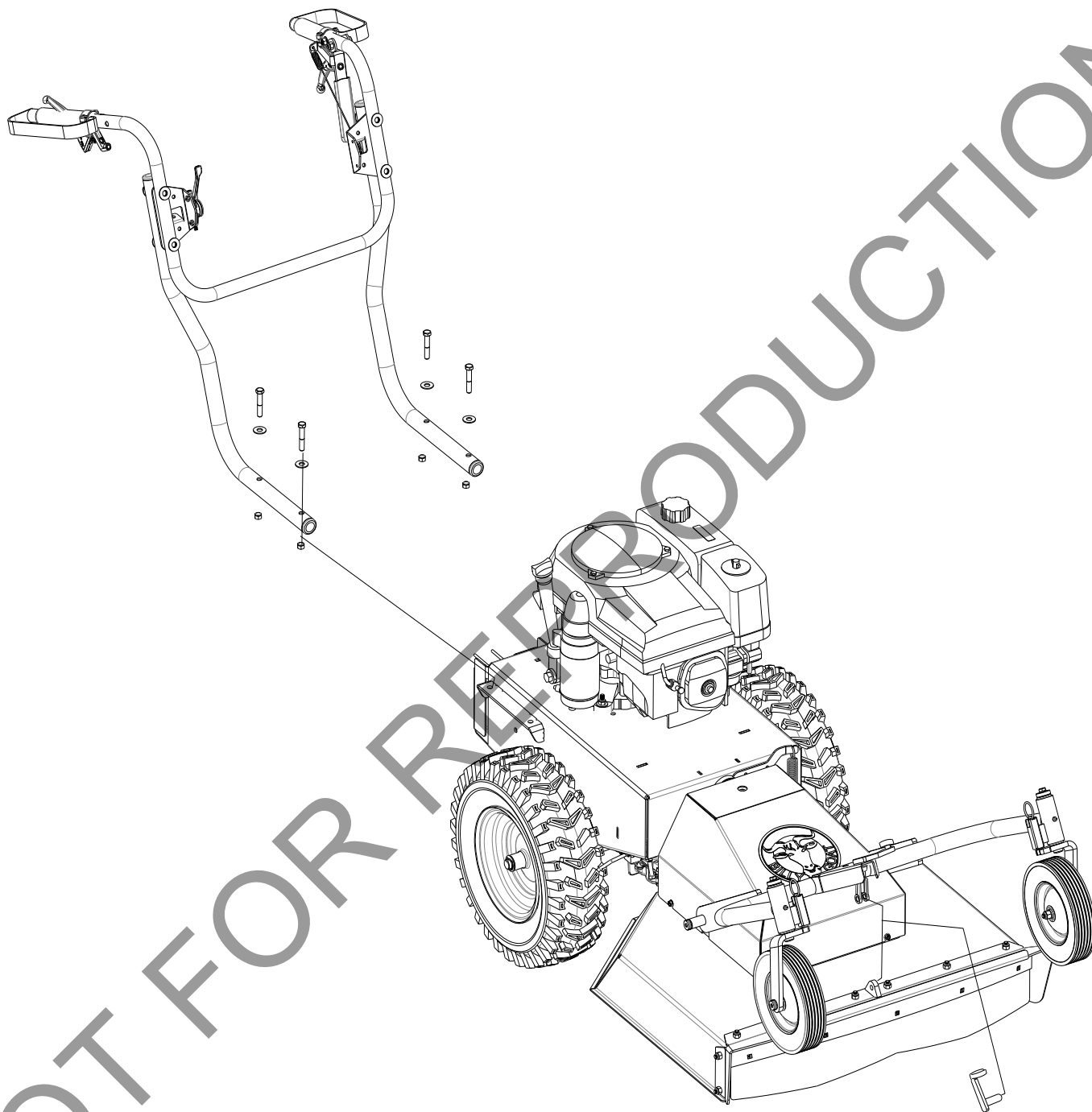
<p>PN 100261 (Item 61)</p>	<p>PN 100346 (Item 134)</p>	<p>PN 501502 (Item 85)</p>	<p>PN 400424 (Item 5)</p>
<p>PN 810736 (Item 136)</p>	<p>PN 501512 (Item 165)</p>	<p>PN 900327 (Item 20)</p>	<p>PN 500177 (Item 135)</p>
<p>PN 501504 (Item 139)</p>	<p>PN 500168 (Item 140)</p>	<p>PN 100256 (Item 62)</p>	

## ENGINE LABELS

<p>Honda</p>	<p>Briggs and Stratton</p>	



# BC26EU HYDRO-DRIVE Owner's Manual



Brush Cutter Assembly Drawing



## BC26EU HYDRO-DRIVE Owner's Manual

### PACKING CHECKLIST

Your BILLY GOAT® BCHydro-Drive Brush Cutter was shipped in one carton, completely assembled except for the upper handle assembly and the front caster bracket mount. Mounting hardware for the handle and caster bracket mount can be found in the parts bag. The throttle cable hardware is located on the bracket on the right side of the handle.

**NOTE:** A CB18, C50, SC50 or MCB50 series dry or wet battery with a 17.2 Ah rating is required when replacing the battery.



**READ** all safety instructions before assembling unit.

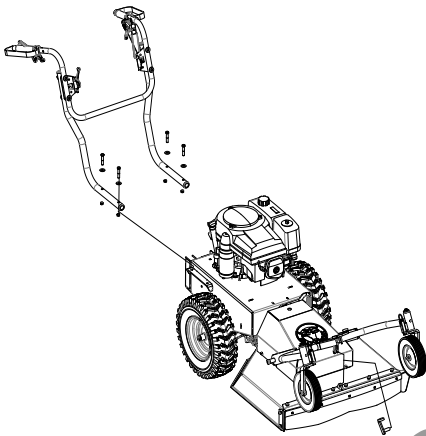


**WARNING:**

**DISCONNECT** spark plug wire before assembling unit.

### PARTS BAG & LITERATURE ASSY

Warranty card P/N- 400972, Owner's Manual P/N-501606, General Safety and Warranty Manual P/N-100296, Declaration of conformity P/N-501506



#### Boxing Parts Checklist

- Owner's Manual 501606
- Upper Handle Assembly, P/N 501010, Electric model P/N 501009
- Ty-Wraps (4 ea)
- Screwcap 3/8" - 16 X 2" P/N 8041054 (qty 4)
- Washer 3/8" flat P/N 8171004 (qty 4)
- Nut Lock 3/8"-16 P/N 8160003 (qty 4)
- Nut lock #10-24 hex P/N 8164005 (qty 2)
- Screw machine flat HD Phil P/N 830514 (qty 2)
- Spring pin clevis P/N 501318 (qty 1)

#### Engine Manual Per Model

- Honda
- Briggs

### ASSEMBLY

**NOTE:** Items in ( ) can be referenced in the Parts Illustrations and Parts Lists on pages 14-21.

1. **REMOVE** unit from carton and check the contents of the parts bag with the list above.
2. **REMOVE** mounting hardware from the hardware bag.
3. **ATTACH** the handle to the engine base with the items 72, 73, and 48.
4. **TIGHTEN** mounting hardware on handle braces (items 5 and 6).
5. **ATTACH** the throttle (82) to the right hand bracket (item 70) using the hardware items 83 and 84. Tighten securely and make sure the cable isn't binding.
6. **ATTACH** the Blade drive cable to the lever and seat the plastic insert into the bracket on the left side of the handle.
7. **SECURE** the drive and blade cables with the ty-wraps provided.
8. **ATTACH** the caster bracket frame to the deck with the clip (item 164), make sure the clip section snaps completely around the neck of the yoke.
9. **RECONNECT** spark plug wire.

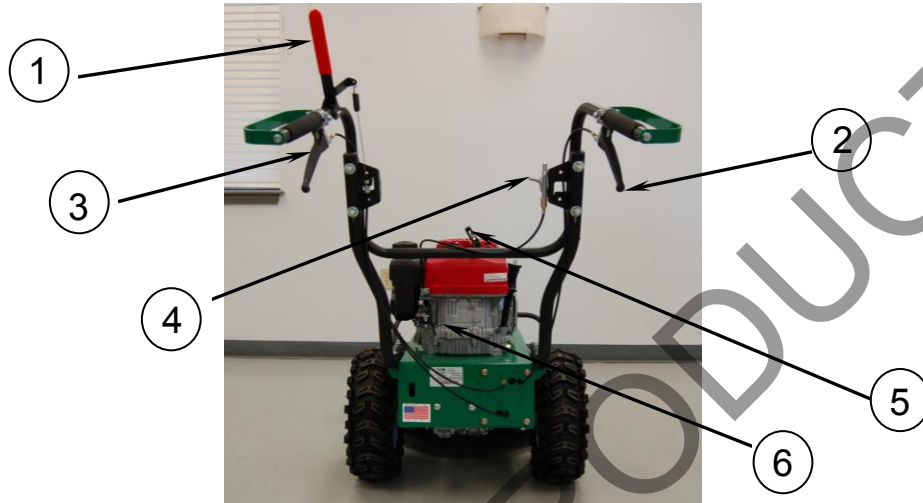


# BC26EU HYDRO-DRIVE Owner's Manual

## OPERATION

### OPERATOR CONTROLS

The operator's station is at the rear of the machine between the handlebars. The operator should STAND in a position to allow both handlebars to be grasped firmly and which allows sufficient leverage to steer the machine. Operator's controls are shown below.



Operator Control Locations

- |   |                    |   |              |
|---|--------------------|---|--------------|
| 1 | Blade Clutch Lever | 5 | Pull Starter |
| 2 | Forward Lever      | 6 | Choke        |
| 3 | Reverse Lever      |   |              |
| 4 | Throttle           |   |              |

### STARTING ENGINE



**CHECK** engine oil level before operating machine.



**WARNING:** DO NOT START equipment with drive or blade clutch engaged.

1. Place equipment on a level, firm surface that is free of rocks or other debris.
2. Place throttle in "fast" position. (See Fig. 1)
3. Pull choke out (See Fig. 2 Honda engine only).
4. Units equipped with manual starters: Pull starter rope to start engine. **NOTE:** PULL STARTER CORD slowly until resistance is felt. Then pull cord rapidly to avoid kickback. (See Fig. 3)
5. Push choke in (Honda engine only).
6. Pull throttle control back to and allow engine to reach correct operating speed.

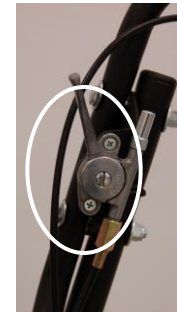


Fig. 1



Fig. 2



Fig. 3



## BC26EU HYDRO-DRIVE Owner's Manual

### CUTTING OPERATION

1. Press blade clutch handle down (See Fig. 4) to engage blade. Allow blade to spin up to normal operating speed.
2. Pull Forward (See Fig. 5) or Reverse Drive lever (See Fig. 6) up to engage transaxle in desired direction.

### DECK HEIGHT ADJUSTMENT

1. To raise and lower the cutting height on the deck, pull the knob upwards and rotate the handle clockwise to raise the cutting height and counter-clockwise to lower the cutting height. **DO NOT ADJUST HEIGHT WITH THE BLADE RUNNING**

### CLEARING A CLOGGED DECK

 **WARNING:** **DISCONNECT** spark plug wire before servicing unit.

1. Shut engine off and wait for blade to stop completely.
2. Disconnect spark plug wire.
3. Remove clog from cutting deck.

  **WEAR** durable gloves. Clog may contain sharp materials.

4. Reconnect spark plug wire.

### SHUT DOWN

1. Release drive lever (Fig. 5/6) to disengage transaxle.
2. Release blade clutch handle (Fig. 4) to disengage blade.
3. Move the throttle to the slowest possible position on the throttle control.

### NEUTRAL/FREEWHEEL

1. Identify the freewheel lever located in front of the right front wheel when viewing from operator's station.
2. Pull lever to initiate freewheel motion.
3. Push lever in to initiate driver enabled motion.

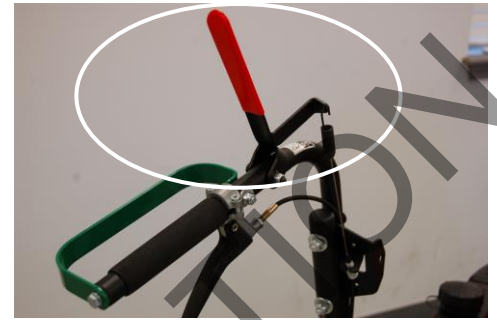


Fig. 4 Left Handle

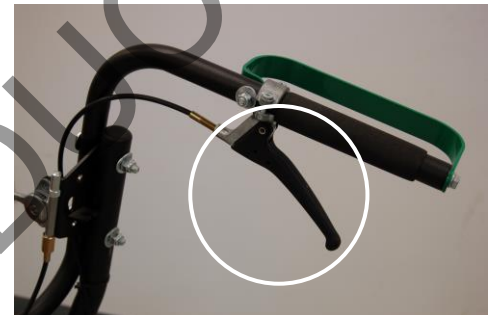


Fig. 5 Right Handle



Fig. 6 Left Handle



Fig. 8 Freewheel Lever

### \*\*\*\*\*TIPS\*\*\*\*\*

The best performance is achieved when cutting in dry conditions. The quality of the cut is directly related to ground speed during cutting. Under most conditions cutting should be done at a slower ground speed. Fast speeds should be reserved for conditions where weeds and brush are thinned out or not very tall. If the quality of the cut is not satisfactory, attempt at slower speeds.





# BC26EU HYDRO-DRIVE Owner's Manual

## MAINTENANCE

### PERIODIC MAINTENANCE

Periodic maintenance should be performed at the following intervals:

Maintenance Operation	Every Use	Daily or Every 5 Hours	Every 25 Hours	Every 50 Hours	Every 100-150 Hours
Inspect for worn or damaged parts	•				
Check for excessive vibration		•			
Inspect for loose parts		•			
Sharpen blade. Note: nut will need to be replaced when blade is removed			•		
Inspect belts for wear			•		
Lubricate throttle control cable and linkage			•		
Check blade clutch cable tension				•	
Inspect battery for corrosion, damage or leaks (electric start units only)				•	
Apply anti-seize compound to rear axles				•	
Check battery strap for excessive wear or rips	•				
Replace blade drive and transaxle drive belts					•

If transmission is topped off or refilled, SAE 10w30 grade, non-detergent oil should be poured through the port covered by the black cap. Approx. 2.2 liters of oil will be needed to reach this level. This is dependent on the amount of residual oil remaining in case after draining. Draining of old oil must be done through the same port (covered with the black plug) by inverting transaxle.

## COMMON REPLACEMENT PARTS

- Blade. P/N 501221. Original equipment replacement blade.
- Transaxle Drive Belt. P/N 501268. Original equipment replacement drive belt.
- Blade Drive Belt. P/N 501220. Original equipment replacement drive belt.
- Throttle Control Assembly. Throttle control including cable.

### CLEANING

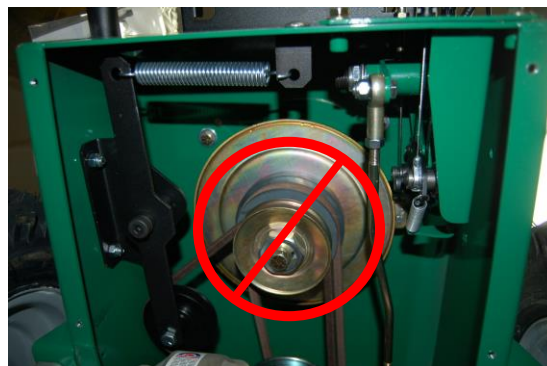
Your BILLY GOAT® Brush Cutter should be cleaned periodically to ensure optimum performance and service life. Clogs and debris should be removed from the blade area and debris should be removed from the engine cooling fins. A garden hose or pressure washer may be used for cleaning.



CAUTION:



**DO NOT SPRAY WATER DIRECTLY ON THE BLADE CLUTCH WHEN USING A POWER WASHER. SEE FIG 7.**





## BC26EU HYDRO-DRIVE Owner's Manual

NOTE: Items in ( ) can be referenced in the Parts Illustrations and Parts Lists on pages 14-21.

### BLADE SHARPENING AND REMOVAL



**READ** all safety instructions before servicing unit.



**WARNING:**

**DISCONNECT** spark plug wire before servicing unit.

1. Disconnect spark plug wire.
2. Lift and support front of unit to allow access to underside.



**WARNING:**

**UNIT IS HEAVY.** Make sure support is adequate to support weight of machine.

3. Block blade to prevent it from rotating during removal.
4. Remove blade bolt (item 23), and friction washer (item 39).
5. Remove blade (item 2) and install replacement blade. *NOTE:* When sharpening blade make sure to sharpen all cutting edges. If the lock nut is removed and replaced more than once, it should be replaced with a new lock nut (P/N 8160009). When replacing the blade use BILLY GOAT Industries PN 501224 only.
6. Attach new blade with new blade bolt (item 23), and new friction washer (item 39) removed earlier included with your new blade. *NOTE:* Inspect fasteners for wear and replace if necessary.
7. Torque blade bolt to 40 ft-lbs.
8. Reconnect spark plug wire.

### BLADE DRIVE BELT TENSION

NOTE: The Blade Drive belt is under constant tension by the idler arm on the deck.



**WARNING:**

**DISCONNECT** spark plug wire before servicing unit.

1. Disconnect spark plug wire.
2. Loosen four screws (item 27) holding belt deck cover (item 29) and remove the cover.
3. Examine condition of belt and amount of tension on belt.
4. If the idler is not providing enough tension inspect the spring (item 50) attaching it to the spindle base. If not enough tension is being put on the arm, replace the spring.
5. Replace engine base door (item 29) and secure with screws removed earlier.
6. Reconnect spark plug wire.
7. Check belt tension by operating unit under conditions that caused belt slippage. If belt continues to slip it may require replacement before operation may continue.

### BLADE CLUTCH ADJUSTMENT



**WARNING:**

**DISCONNECT** spark plug wire before servicing unit.

1. Disconnect spark plug wire.
2. As the clutch/brake wears or begins slipping or squealing, adjustment may be required to maintain proper cable tension and clutch engagement. A properly adjusted blade clutch should require 10 lbs. of force to depress the end of the clutch lever. The blade clutch cable spring should stretch 1/4" to 3/8" (6.4-9.5 mm).
3. Adjust cable tension by tightening or loosening cable adjustment nut on rear of engine base (see Fig. 8). Be sure to leave enough slack in cable to allow blade brake to engage.
4. Reconnect spark plug wire.

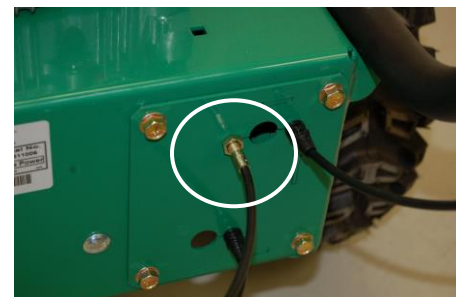


Fig. 8



**CAUTION:**

If clutch continues to slip or squeal, do not operate equipment until adequate adjustment or repair has been performed. Improper adjustment can cause clutch to overheat and slip, greatly reducing performance and clutch life.



## BC26EU HYDRO-DRIVE Owner's Manual

NOTE: See Fig 11 for proper belt routing.

### TRANSAXLE DRIVE BELT REMOVAL AND REPLACEMENT



**WARNING:** DISCONNECT spark plug wire before servicing unit.

1. Disconnect spark plug wire.
2. Lift and support the rear of the unit to allow access to the underside.
3. Unattach the spring (item 50) from the bracket (item 98) that is keeping tension on the drive belt. (See Fig. 9)
4. Walk the belt (item 121) off of the clutch (item 54) by slowly pulling the engine over. **WARNING:** use caution not to pinch fingers between the belt and clutch.
5. Slip the belt off of the transaxle pulley.
6. Replace the belt in reverse order. NOTE: make sure the belt is seated properly in the clutch and transaxle and make sure that it does not bend over the fan blades on the transaxle.

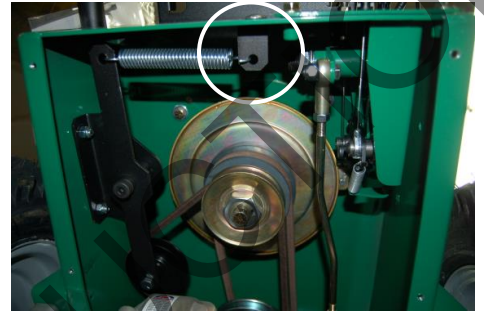


Fig. 9

### BLADE DRIVE BELT REMOVAL AND REPLACEMENT



**WARNING:** DISCONNECT spark plug wire before servicing unit.

1. Disconnect spark plug wire.
2. Lift and support rear of unit to allow access to underside.
3. Loosen the four screws (item 27) holding deck belt cover (item 29) and remove cover.
4. Follow the steps 3 and 4 in the Transaxle drive belt removal section to remove the Transaxle drive belt. NOTE: It may be necessary to pry idler pulley (item 35) away from its original position to release belt, using a ratchet with an extension in the square hole on the idler arm should allow the proper leverage to pull it off the belt. (See Fig. 10)
5. Relieve the tension on the blade belt by pulling the deck idler arm off of the belt. Then walk the belt off of the deck pulley.
6. Feed the belt back to the engine base then slip the belt off of the clutch.
7. Install the new belt in reverse order making sure the belt is seated properly in the clutch.
8. Reconnect spark plug wire.



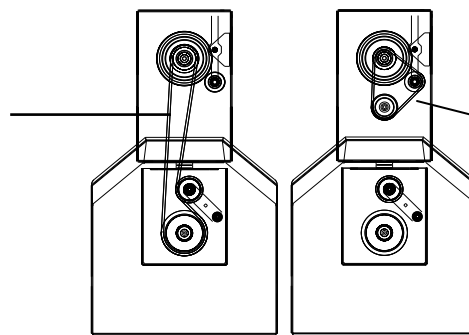
**WARNING:**

**UNIT IS HEAVY.** Make sure support is adequate to support weight of machine.



Fig. 10

Blade Drive Belt (with Transaxle Belt not Shown)



LOOKING THROUGH TOP  
Transaxle Drive Belt  
(Seated below drive belt on  
clutch)

Belt Routing Diagram  
(Top View of Machine)

Fig. 11



## BC26EU HYDRO-DRIVE Owner's Manual

### TRANSAXLE DRIVE ADJUSTMENT

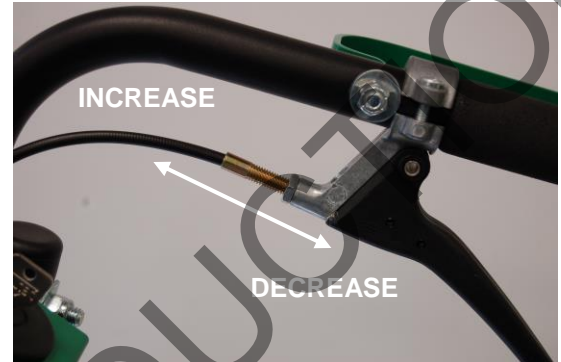


**WARNING:** DISCONNECT spark plug wire before servicing unit.

1. Disconnect spark plug wire.
2. Adjustments to cable tension are made at the barrel entering the Drive Control Levers.
3. Adjust cable tension by tightening or loosening cable adjustment barrel on rear of engine base (see below).

*NOTE:* Moving the cable adjustment barrel OUT increases tension. Moving the barrel IN decreases tension. Increasing the tension too much will cause the drive to stay engaged whereas not enough will cause it not to engage when the lever is pulled.

4. Reconnect spark plug wire.



NOT FOR REPRODUCTION



## BC26EU HYDRO-DRIVE Owner's Manual

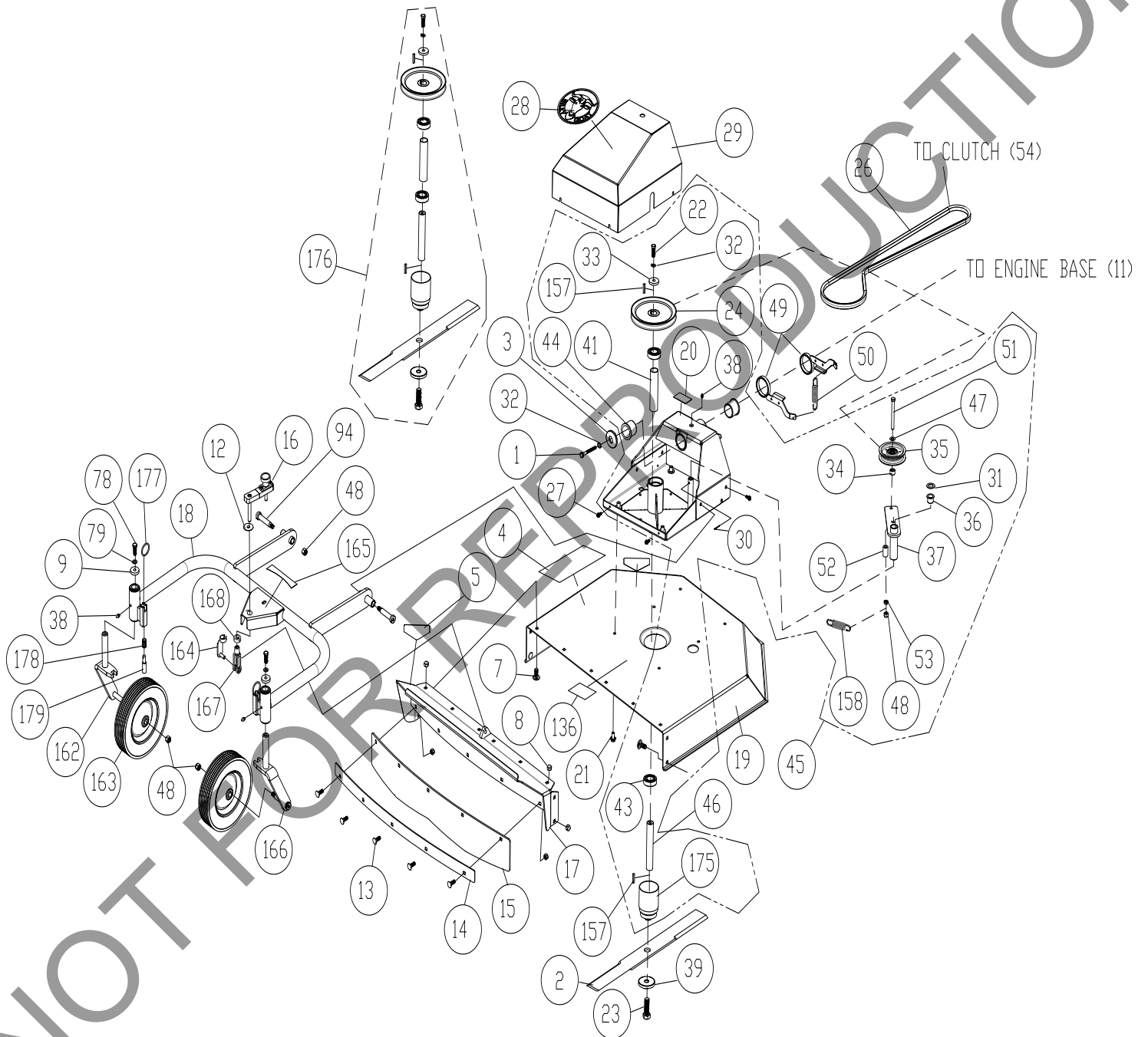
### TROUBLESHOOTING

Problem	Possible Cause	Corrective Action
Engine will not start	Throttle is set to Slow/Stop position.	Move throttle to fast position.
	Out of gasoline.	Fill gas tank.
	Old or contaminated gasoline.	Drain gas tank and fill with fresh gasoline.
	Spark plug wire disconnected.	Connect spark plug wire.
	Dirty air cleaner.	Clean or replace air cleaner.
Will not cut or cutting performance is poor	Blade drive cable tension incorrect.	Adjust blade drive cable tension.
	Dull blade.	Sharpen or replace blade. Note: nut will need to be replaced when blade is removed.
	Clogged deck.	Unclog deck.
	Excessive debris built up on or blocking blade.	Clear debris from blade area.
	Engine RPM set too low.	Check engine RPM.
Abnormal vibrations	Blade loose or out of balance.	Check blade for tightness. Rebalance if necessary.
	Engine loose.	Check engine mounting bolts.
	Blade drive belt worn.	Replace blade drive belt.
Belt slips or smokes	Belt tension too low.	Adjust belt tension.
	Belt worn or stretched.	Replace belt.
	Pulleys worn or damaged.	Replace pulleys.
Clutch slips or squeals	Clutch cable tension too low.	Replace spring on idler arm.
	Clutch worn or damaged.	Replace worn or defective clutch assembly parts.
Blade brake will not engage	Inadequate slack in clutch cable.	Adjust clutch cable.
	Clutch worn or damaged.	Replace clutch/brake assembly.
Transaxle will not engage	Clutch lever not engaging clutch.	Adjust clutch cable.
	Clutch cable defective.	Replace cable.
	Belt worn or broken.	Replace belt.
Transaxle will not disengage	Clutch cable out of adjustment.	Adjust clutch cable.
Engine will not turn over	Defective blade clutch.	Replace clutch.
	Engine problem.	Contact an authorized servicing dealer for your engine.



# BC26EU HYDRO-DRIVE Owner's Manual

## BC26EU HYDRO-DRIVE DECK PARTS DRAWING





# BC26EU HYDRO-DRIVE Owner's Manual

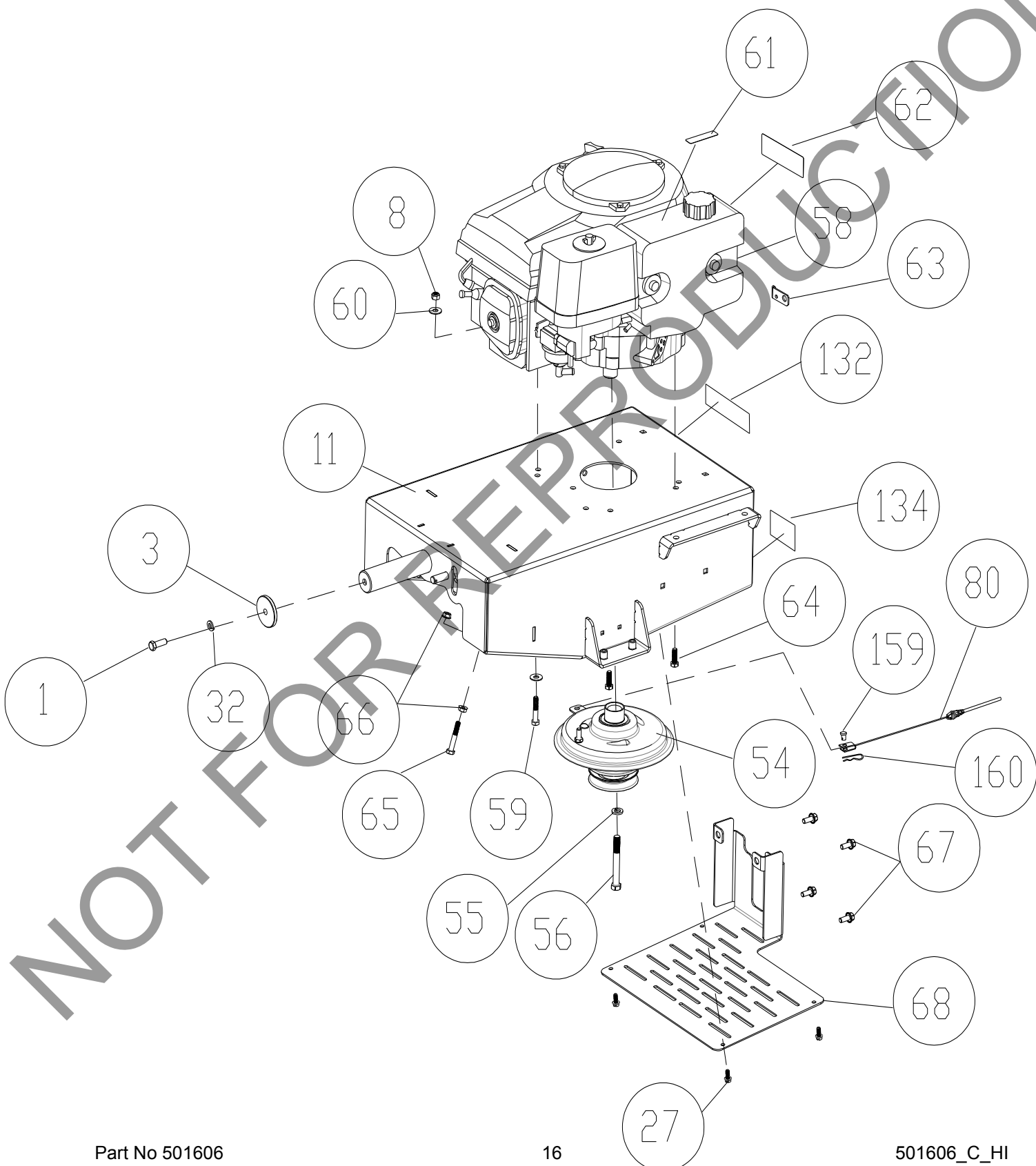
## BC26EU HYDRO-DRIVE DECK PARTS LIST

ITEM NO	DESCRIPTION	BC2600HHEU		BC2600ICHEU	
		Part No	QTY	Part No	QTY
1	SCREWCAP 3/8-24 X 1" HCS GR. 8	900154	1	900154	1
2	BLADE 26" FLAT BC26	501224	1	501224	1
3	WASHER DECK RETAINNG	501214	1	501214	1
4	LABEL BADGING BC26 HYDRO	501500	1	501500	1
5	LABEL DANGER	400424	4	400424	4
7	BOLT CARRIAGE 5/16"-18 X 3/4" ZP	8024039	6	8024039	6
8	NUT LOCK 5/16-18 ZP	8160002	15	8160002	15
9	WASHER 1.125" OD X 0.344" ID X .25" THK	441150	2	441150	2
12	BUSHING FLANGED 1.250" X 0.380" ID	501316	1	510376	1
13	CARRIAGE BOLT 5/16"-18 X 1"	8024040	5	8024040	5
14	PLATE FRONT DEFLECTOR	501319	1	501319	1
15	RUBBER DEFLECTOR FRONT	501320	1	501320	1
16	HEIGHT ADJUST HANDLE ASSY	501124	1	501124	1
17	DECK INTAKE WA EURO BC26	501123	1	501123	1
18	CASTER FRAME WA	501125	1	501125	1
19	DECK BC26EU WA W/LABELS	501121-S	1	501121-S	1
20	LABEL DANGER GUARD	900327	1	900327	1
21	SCREW SER HEX WASHER FLNG	791080	6	791080	6
22	SCREWCAP 3/8"-16 X 1 1/4" HCS ZP	8041051	1	8041051	1
23	SCREWCAP 9/16"-18 X 1 3/4" GR 8	501345	1	501345	1
24	PULLEY 7" OD X 1.000 BORE	501308	1	501308	1
26	BELT 6972 POWERATED	501220	1	501220	1
27	SCREW SELT TAP 1/4-20 X 5/8" HWH TYPE F	890359	4	890359	4
28	LABEL PRODUCT DECAL LG CIRCLE	430303	1	430303	1
29	COVER BELT DECK WA BC26 W/LABEL	501602	1	501602	1
30	PIN COTTER 1/8" X 1"	8197031	1	8197031	1
31	WASHER .765 ID X 1.25 OD X .06 THK	850238	1	850238	1
32	WASHER LOCK 3/8 S/T MED	8177012	1	8177012	1
33	WASHER 1.5 OD X .453 ID X .25 THK	440153	1	440153	1
34	TUBE PIVOT IDLER VQ	830526	1	830526	1
35	PULLEY IDLER 4.00 OD X 3/8" BORE	500113	1	500113	1
36	BUSHING PIVOT FRAME AE	360183	1	360183	1
37	ARM IDLER DECK WA BC	501103	1	501103	1
38	ZERK FITTING GREASE	610363	3	610363	3
39	WASHER BLADE BC26	501346	1	501346	1
41	SPACER SPINDLE BEARING BC26	501245	1	501245	1
43	BEARING BALL 1641 - 2RS-PRX	501302	2	501302	2
44	BUSHING 1.500 ID X 1.5 LONG FLANGED	501217	2	501217	2
45	BRACKET DECK MOUNT WA BC26 W/LABEL	501604	1	501604	1
46	SHAFT BLADE BC26	501341	1	501341	1
47	WASHER 3/8" SAE	8172009	1	8172009	1
48	NUT LOCK 3/8-16 HEX	8160003	4	8160003	4
49	ARM RTN WA BC26	501116	2	501116	2
50	SPRING LIFT ASSIST TENSION	351254	2	351254	2
51	SCREWCAP 3/8"-16 X 3 3/4" HCS ZP	8041061	1	8041061	1
52	BUSHING PIVOT LIFT	360138	1	360138	1
53	NUT LOCK 3/8"-16 LT WT TH ZP	8161042	1	8161042	1
78	SCREWCAP 5/16"-18 X 1" GR 5 HCS ZP	8041028	2	8041028	2
79	WASHER LOCK 5/16" S/T MED	8177011	2	8177011	2
94	BOLT SHOULDER 1/2" X 2"	520031	2	520031	2
136	LABEL WARNING FLYING DEBRIS	810736	1	810736	1
157	KEY 1/4 SQ. X 0.75"	9201109	2	9201109	2
158	SPRING IDLER BC	501261	1	501261	1
162	CASTER RIGHT SIDE WA	501126	2	501126	2
163	TIRE WHEEL ASSY	501333	2	501333	2
164	SPRING PIN CLEVIS	501318	1	501318	1
165	LABEL HEIGHT ADJUST EURO BC26	501512	1	501505	1
166	CASTER LEFT SIDE WA	501127	1	501127	1
167	YOKE FEMALE STEEL 3/8"-24 RH X 2.50	501317	1	501317	1
168	NUT LOCK 3/8"-24 ZP THIN HT	8161022	1	8161022	1
175	ADAPTER BLADE WA BC26	501343	1	501343	1



# BC26EU HYDRO-DRIVE Owner's Manual

## BC26EU HYDRO-DRIVE ENGINE PARTS DRAWING



NOT FOR PUBLICATION





## BC26EU HYDRO-DRIVE Owner's Manual

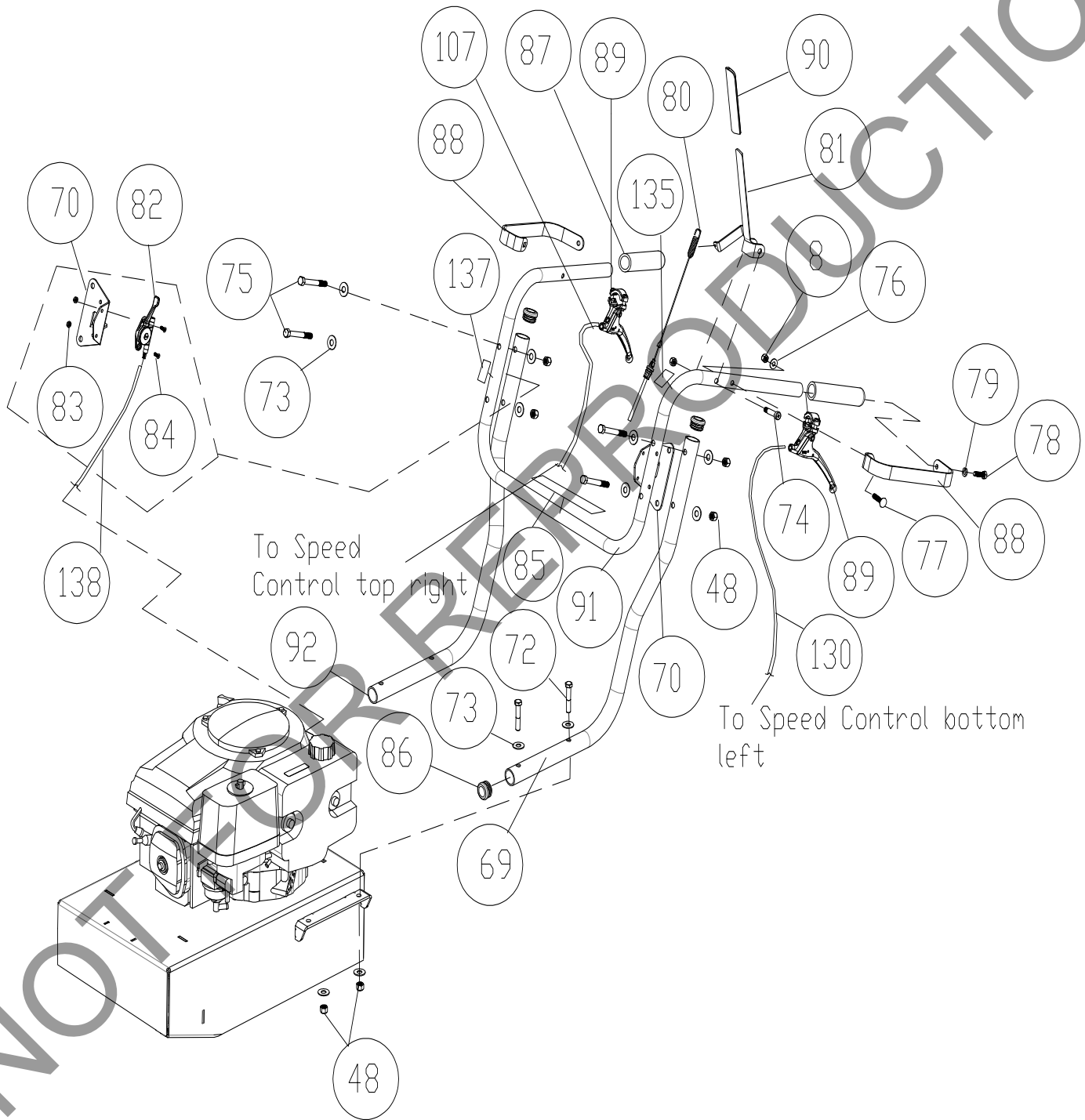
### BC26EU HYDRO-DRIVE ENGINE PARTS LIST

ITEM NO	DESCRIPTION	BC2600HHEU		BC2600ICHEU	
		Part No	QTY	Part No	QTY
1	SCREWCAP 3/8-24 X 1" HCS GR. 8	900154	1	900154	1
3	WASHER DECK RETAINING	501214	1	501214	1
8	NUT LOCK 5/16"-18 ZP	8160002	2	8160002	2
11	ENGINE BASE WA W/LABELS	501603	1	501603	1
27	SCREW SELT TAP 1/4-20 X 5/8" HWH TYPE F	890359	4	890359	4
32	WASHER LOCK 3/8" S/T MED	8177012	1	8177012	1
54	CLUTCH	501223-S	1	501223-S	1
55	WASHER LOCK S/T MED	8177013	1	8177013	1
56	SCREWCAP 7/16"-20 X 3 1/2" GR 8 W/PATCH	440150	1	440150	1
58	ENGINE HONDA ELEC START	-	-	-	-
	ENGINE BRIGGS	-	-	520046	1
	ENGINE HONDA	500334	1	-	-
59	SCREWCAP 5/16"-18 X 1 3/4 HCS ZP	8041031	2	8041031	2
60	WASHER 5/16" FLAT	8171003	4	8171003	4
61	LABEL WARNING FUEL	100261	1	100261	1
62	LABEL SPARK ARRESTOR	100256	1	100256	1
63	PLATE CHOKE BC26	500325	1	-	-
64	SCREWCAP 5/16-24 X 1" GR 8 ZP W/PATCH	400164	2	400164	2
65	SCREWCAP 5/16"-18 X 2" HCS ZP	8041032	2	8041032	2
66	NUT FLANGE 5/16"-18 ZP	350346	4	350346	4
67	SCREW SER HEX WSHR FLNG 5/16-18 X 3/4"	351264	4	351264	4
68	GUARD REAR HYDRO BC26	501295	1	501295	1
80	CABLE CLUTCH	501279	1	501279	1
132	LABEL MADE IN USA	520116	1	520116	1
134	LABEL SAFETY PROTECT READ MANUAL	100346	1	100346	1
159	PIN CLEVIS 0.25 X 0.050	440124	1	440124	1
160	PIN HITCH CLIP 0.051 X 3/4	440193	1	440193	1



# BC26EU HYDRO-DRIVE Owner's Manual

## BC26EU HYDRO-DRIVE HANDLE PARTS LIST





## BC26EU HYDRO-DRIVE Owner's Manual

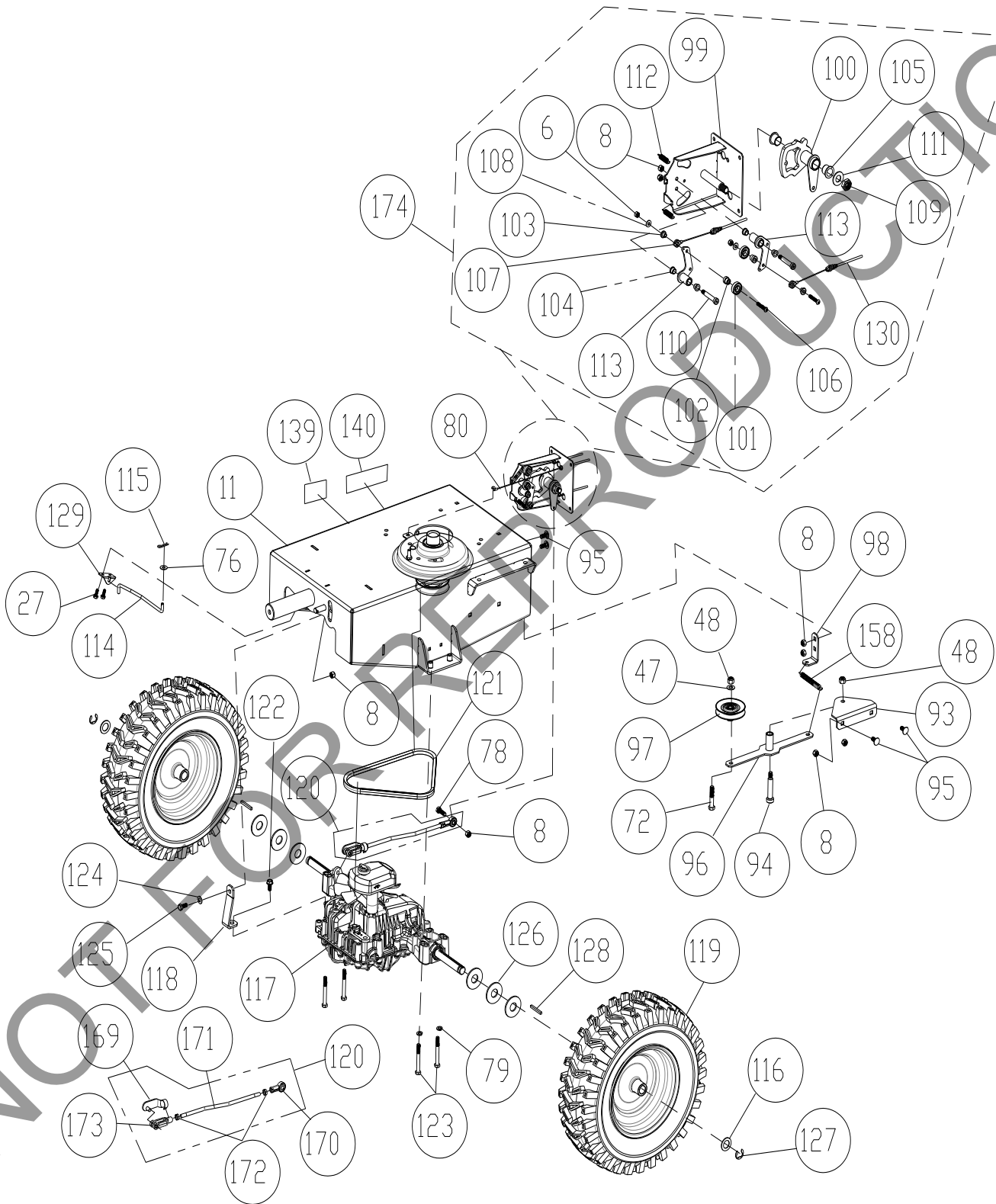
### BC26EU HYDRO-DRIVE HANDLE PARTS LIST

ITEM NO	DESCRIPTION	BC2600HHEU		BC2600ICHEU	
		Part No	QTY	Part No	QTY
8	NUT LOCK 5/16-18 ZP	8160002	3	8160002	3
48	NUT LOCK 3/8-16 HEX	8160003	8	8160003	8
69	HANDLE LOWER LEFT	501400	1	501400	1
70	BRACKET THROTTLE BC26	501251	2	501251	2
72	SCREWCAP 3/8"-16 X 2"	8041054	4	8041054	4
73	WASHER 3/8" FLAT	8171004	16	8171004	16
74	BOLT SHOULDER 3/8"-16 X 1 1/2"	501313	1	501313	1
75	SCREWCAP 3/8"-16 X 3" HCS ZP	8041058	4	8041058	4
76	WASHER 1/4" FLAT	8171002	2	8171002	2
77	BOLT CARRIAGE 5/16"-18 X 1 1/2" ZP	8024042	2	8024042	2
78	SCREWCAP 5/16"-18 X 1" ZP	8041028	2	8041028	2
79	WASHER LOCK 5/16" S/T MED	8177011	2	8177011	2
80	CABLE CLUTCH	501279	1	501279	1
81	LEVER CONTROL BLADE	500312	1	500312	1
82	CONTROL THROTTLE	440013	1	440013	1
83	NUT LOCK LT #10-24 HEX	8164005	2	8164005	2
84	SCREW MACHINE FLAT HD PHIL #10-24	830514	2	830514	2
85	LABEL DRIVE DIRECTION	501502	1	501502	1
86	PLUG TUBE INSERT 1.25" OD	791056	4	791056	4
87	GRIP HANDLE	500267	2	500267	2
88	GUARD HAND BC26	501215	2	501215	2
89	CONTROL MAGURA	351209	2	351209	2
90	GRIP LEVER 0.125" X 1" X 5" RED	500379	1	500379	1
91	HANDLE UPPER	501402-S	1	501402-S	1
92	HANDLE LOWER RIGHT	501401	1	501401	1
107	CABLE SPEED CONTROL RT SERVICE	501276-S	1	501276-S	1
130	CABLE SPEED CONTROL LFT SERVICE	351271-S	1	351271-S	1
135	LABEL BLADE ENGAGE	500177	1	500177	1
	LABEL THROTTLE PULL START BC	501314	1	501314	1
138	CABLE THROTTLE	440014	1	440014	1



# BC26EU HYDRO-DRIVE Owner's Manual

## BC26EU HYDRO-DRIVE TRANS PARTS DRAWING





## BC26EU HYDRO-DRIVE Owner's Manual

### BC26EU HYDRO-DRIVE TRANS PARTS LIST

ITEM NO	DESCRIPTION	BC2600HHEU		BC2600ICHEU	
		Part No	QTY	Part No	QTY
6	NUT LOCK 1/4"-20 HEX ZP	8160001	2	8160001	2
8	NUT LOCK 5/16"-18	8160002	10	8160002	10
11	ENGINE BASE WA W/LABELS	501603	1	501603	1
27	SCREW SELT TAP 1/4-20 X 5/8" HWH TYPE F	890359	2	890359	2
47	WASHER 3/8" SAE	8172009	1	8172009	1
48	NUT LOCK 3/8"-16 HEX	8160003	2	8160003	2
72	SCREWCAP 3/8"-16 X 2" HCS ZP	8041054	1	8041054	1
76	WASHER 1/4" SAE	8172007	1	8172007	1
78	SCREWCAP 5/16"-18 X 1" HCS ZP	8041028	1	8041028	1
79	WASHER LOCK 5/16" S/T MED	8177011	4	8177011	4
80	CABLE CLUTCH	501279	1	501279	1
93	BRACKET IDLER ARM HYDRO BC26	501269	1	501269	1
94	BOLT SHOULDER 1/2" X 2"	520031	1	520031	1
95	BOLT CARRIAGE 5/16"-18 X 3/4" PLAIN	9024039	4	9024039	4
96	ARM IDLER DRIVE HYDRO BC26 WA	501112	1	501112	1
97	PULLEY INSIDE IDLER BC26	501216	1	501216	1
98	BRACKET SPRING IDLER	501297	1	501297	1
99	BRACKET SPEED CONTROL BC26	501105	1	501105	1
100	PLATE CAM SPEED CONTROL BC26	351110	1	351110	1
101	BEARING 1/2" ID X 1.125" OD	351257	2	351257	2
102	SPACER STEPPED SPEED CONTROL HYDRO DR	351347	2	351347	2
103	SPACER EYELET SPEED CONTROL	351348	2	351348	2
104	BUSHING 3/8" ID 1/2" OD X 3/8" LONG	840078	4	840078	4
105	BUSHING PIVOT FRAME AE	360183	2	360183	2
106	SCREWCAP 1/4-20 X 1 3/4 SKT BUT HD	840199	2	840199	2
107	CABLE SPEED CONTROL RT SERVICE	501276-S	1	501276-S	1
108	WASHER 1/4" SAE	8172007	2	8172007	2
109	NUT LOCK 5/8"-11 LT WT TH ZP	8161046	1	8161046	1
110	BOLT SHOULDER 3/8" X 1 3/4"	351258	2	351258	2
111	WASHER 5/8" FLAT	8172013	1	8172013	1
112	SPRING TENSION	800242	2	800242	2
113	BELLCRANK SPEED CONTROL BC26	501114	2	501114	2
114	ROD TRANS BYPASS BC26	501265	1	501265	1
115	HAIR PIN COTTER 1/4"	900471	1	900471	1
116	WASHER .765 ID X 1.25" OD X .06	850238	2	850238	2
117	TRANSAXLE TUFF TORQ BC26	501218	1	501218	1
118	BRACKET SUPPORT HYDRO TRANSAXLE	501267	1	501267	1
119	TIRE 16" AG SP	501275	2	501275	2
120	CONTROL ROD ASSY	501025-S	1	501025-S	1
121	BELT HYDRO TRANSAXLE BC26	501268	1	501268	1
122	SCREW SELF TAP 5/16" X 3/4" HEX	8123128	1	8123128	1
123	SCREWCAP 5/16"-18 X 2 3/4" HCS ZP	8041035	4	8041035	4
124	WASHER 5/16" SAE	8172008	1	8172008	1
125	SCREWCAP 5/16"-18 X 3/4" HCS ZP	8041026	1	8041026	1
126	WASHER 3/4" SAE	8172015	6	8172015	6
127	RING RETAINING E 3/4"	850230	2	850230	2
128	KEY 3/16" SQ X 2 1/8"	9201087	2	9201087	2
129	BRACKET BYPASS ROD	501272	1	501272	1
130	CABLE SPEED CONTROL LFT SERVICE	351271-S	1	351271-S	1
139	LABEL DRIVE RELEASE	501504	1	501504	1
140	LABEL CHOCK WHEELS	500168	2	500168	2
158	SPRING IDLER BC	501261	1	501261	1
169	SPRING PIN CONTROL ROD	501262	1	501262	1
170	SPHERICAL ROD END MSF-5	351278	1	351278	1
171	CONTROL ROD	501260	1	501260	1
172	NUT JAM 5/16" NC	8143002	2	8143002	2
173	YOKE FEMALE STEEL 5/16" - 24 RH X 2.25"	501274	1	501274	1
174	KIT SPEED CONTROL NO CABLES BC26	501607	1	501607	1